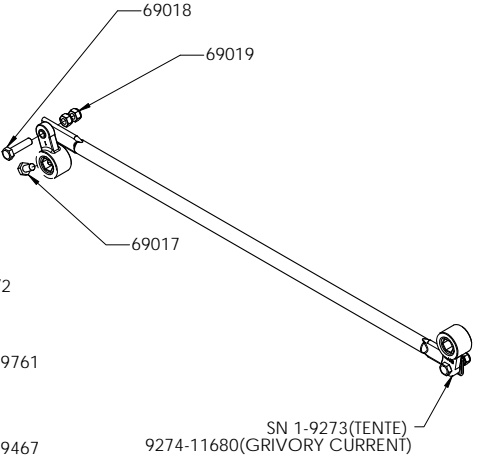
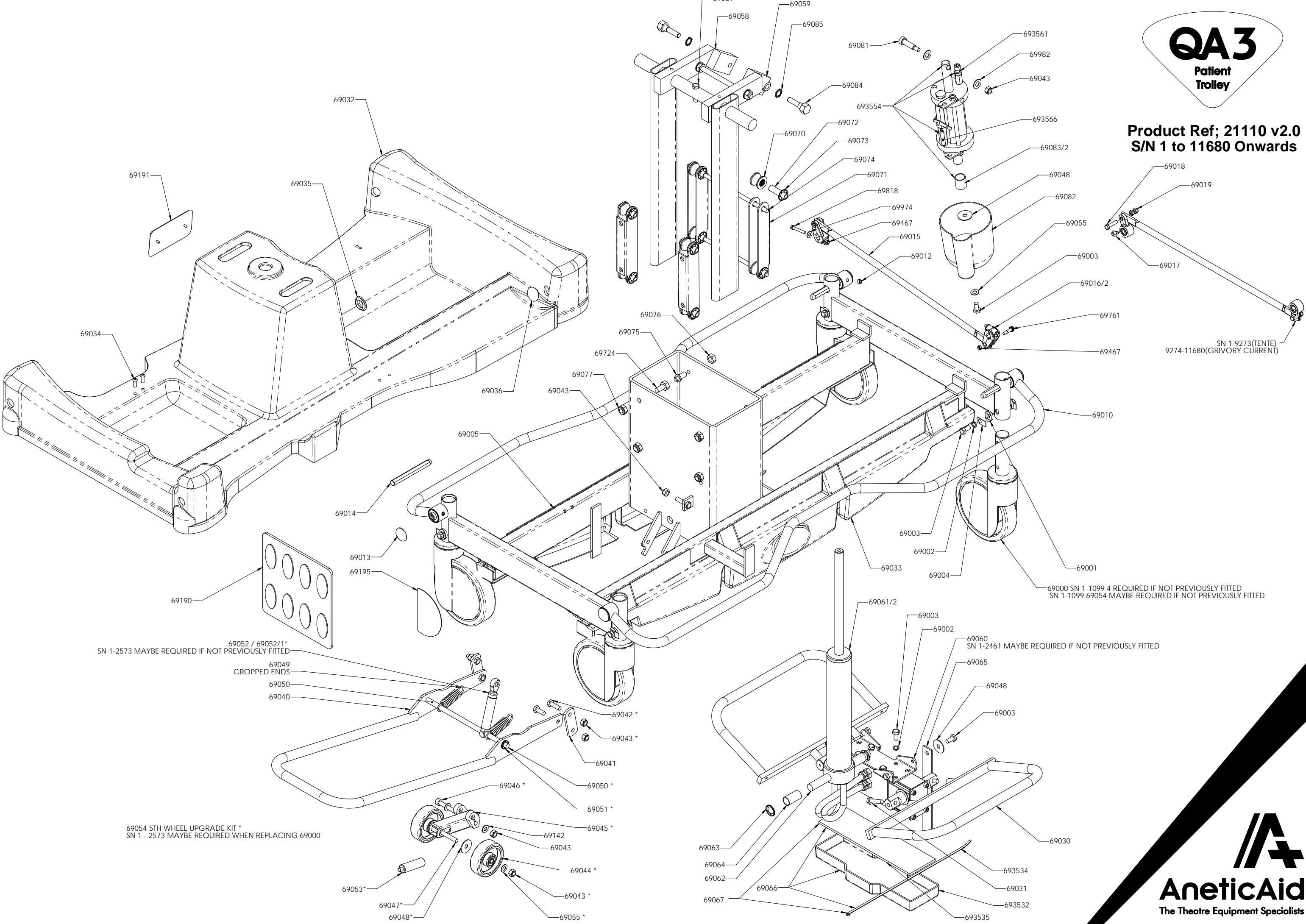


Part Identification Drawing for QA3 v2.0 Patient & Emergency Trolleys





Product Ref; 21110 v2.0
S/N 1 to 11680 Onwards



SN 1-9273(TENTE)
9274-11680(GRIVORY CURRENT)

69052 / 69052/1*
SN 1-2573 MAYBE REQUIRED IF NOT PREVIOUSLY FITTED

69049
CROPPED ENDS
69050
69040

69054 5TH WHEEL UPGRADE KIT *
SN 1 - 2573 MAYBE REQUIRED WHEN REPLACING 69000

69000 SN 1-1099 4 REQUIRED IF NOT PREVIOUSLY FITTED
SN 1-1099 69054 MAYBE REQUIRED IF NOT PREVIOUSLY FITTED

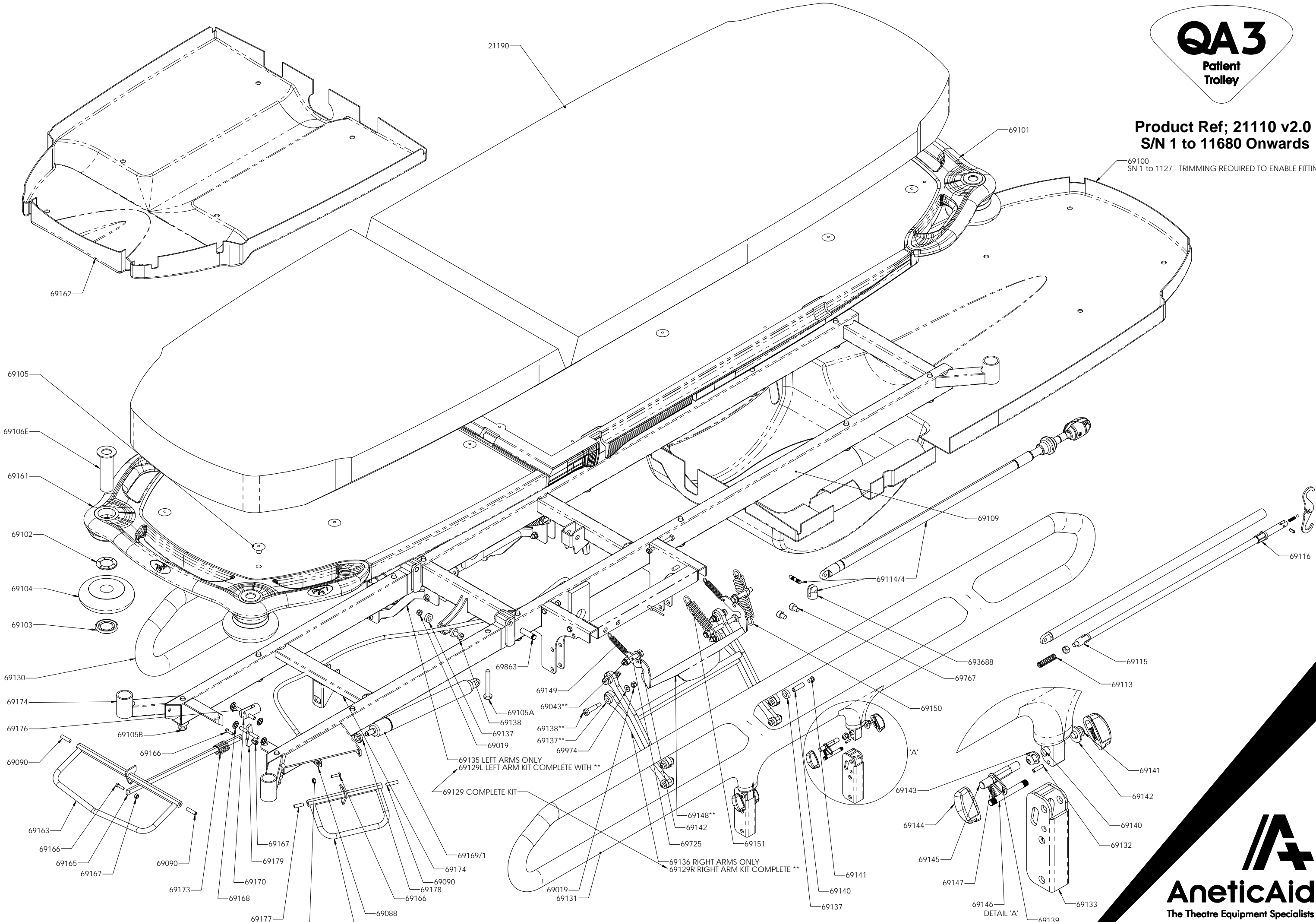
69060
SN 1-2461 MAYBE REQUIRED IF NOT PREVIOUSLY FITTED





**Product Ref; 21110 v2.0
S/N 1 to 11680 Onwards**

69100
SN 1 to 1127 - TRIMMING REQUIRED TO ENABLE FITTING



AneticAid
The Theatre Equipment Specialists



Product Ref; 21110 v2.0
S/N 1 to 11680 Onwards

