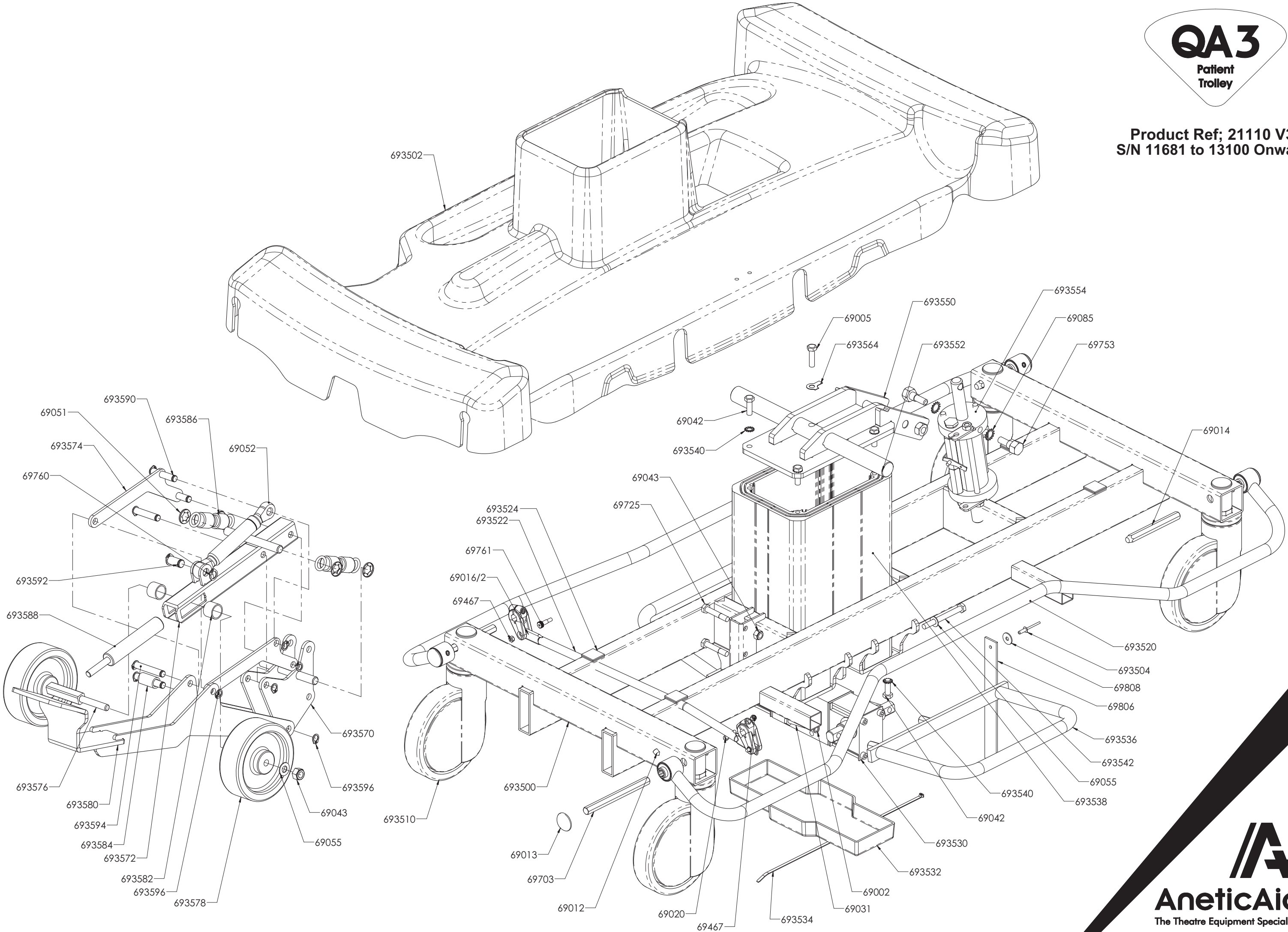


Part Identification Drawing for QA3 v3.0 Patient & Emergency Trolleys



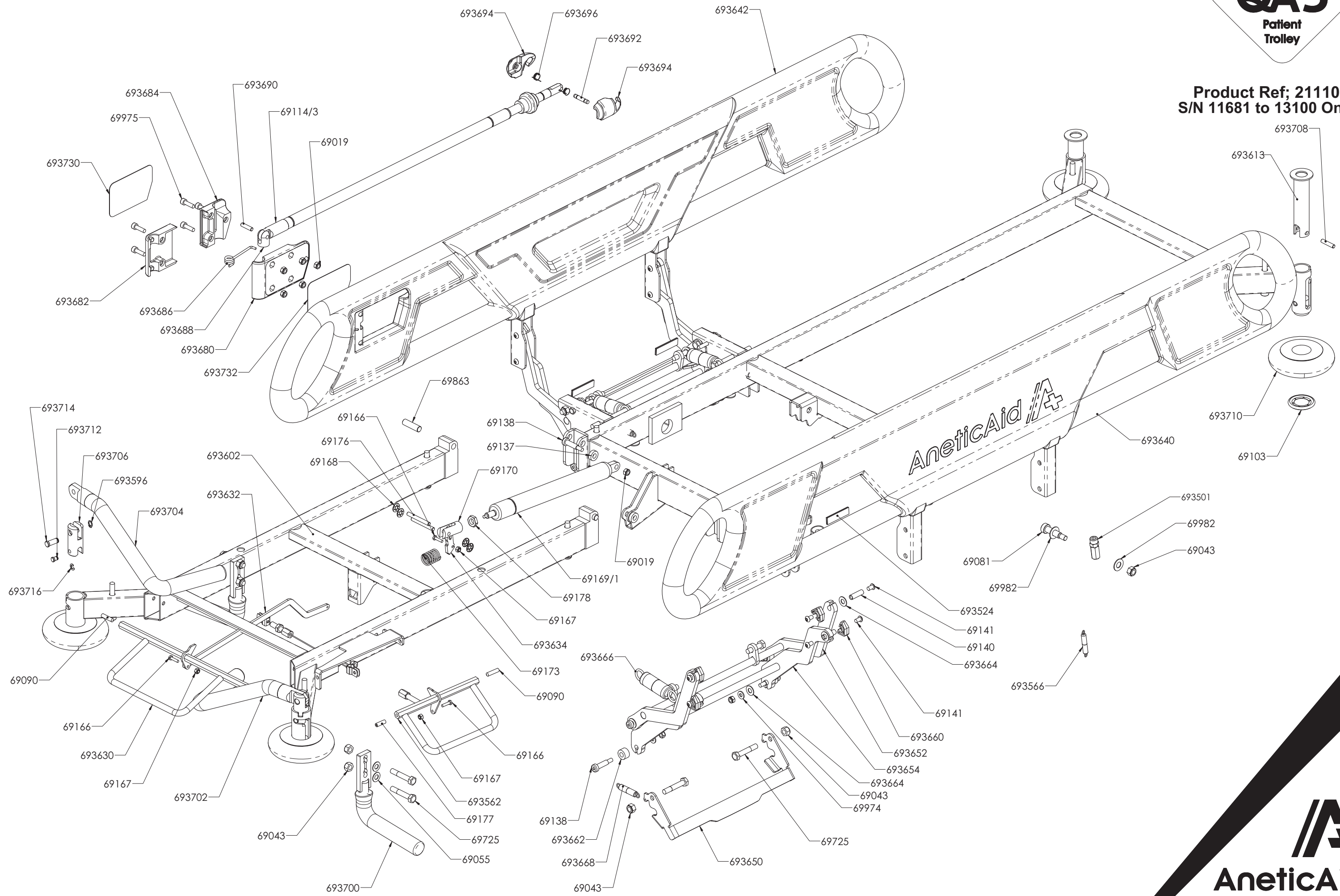


Product Ref; 21110 V3.0
S/N 11681 to 13100 Onwards





Product Ref; 21110 V3.0
S/N 11681 to 13100 Onwards



The Theatre Equipment Specialists

