

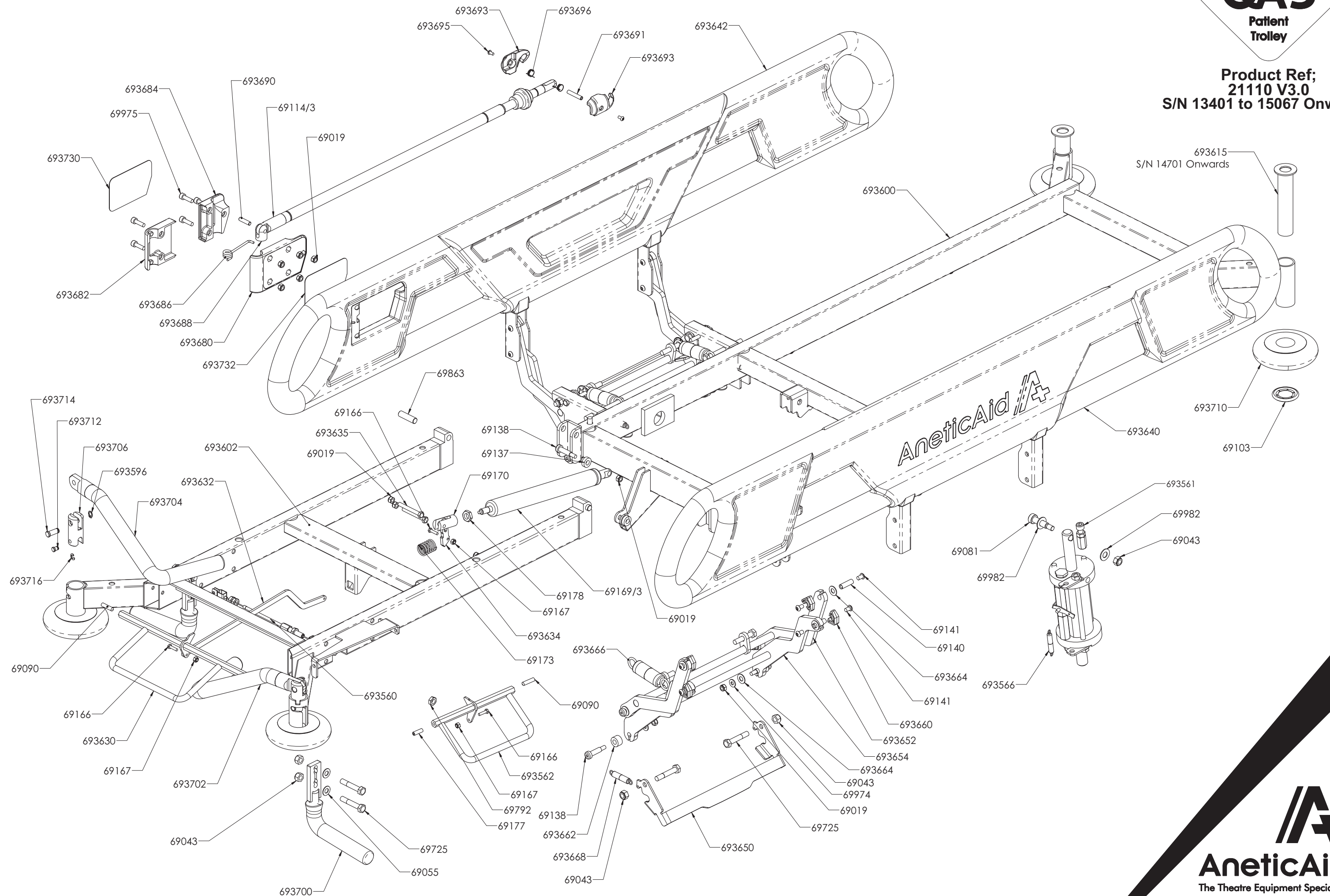
Part Identification Drawing for QA3 v3.0 Patient & Emergency Trolleys





Product Ref;
21110 V3.0
S/N 13401 to 15067 Onwards

693615
S/N 14701 Onwards





Product Ref;
21110 V3.0
S/N 13401 to 15067 Onwards

