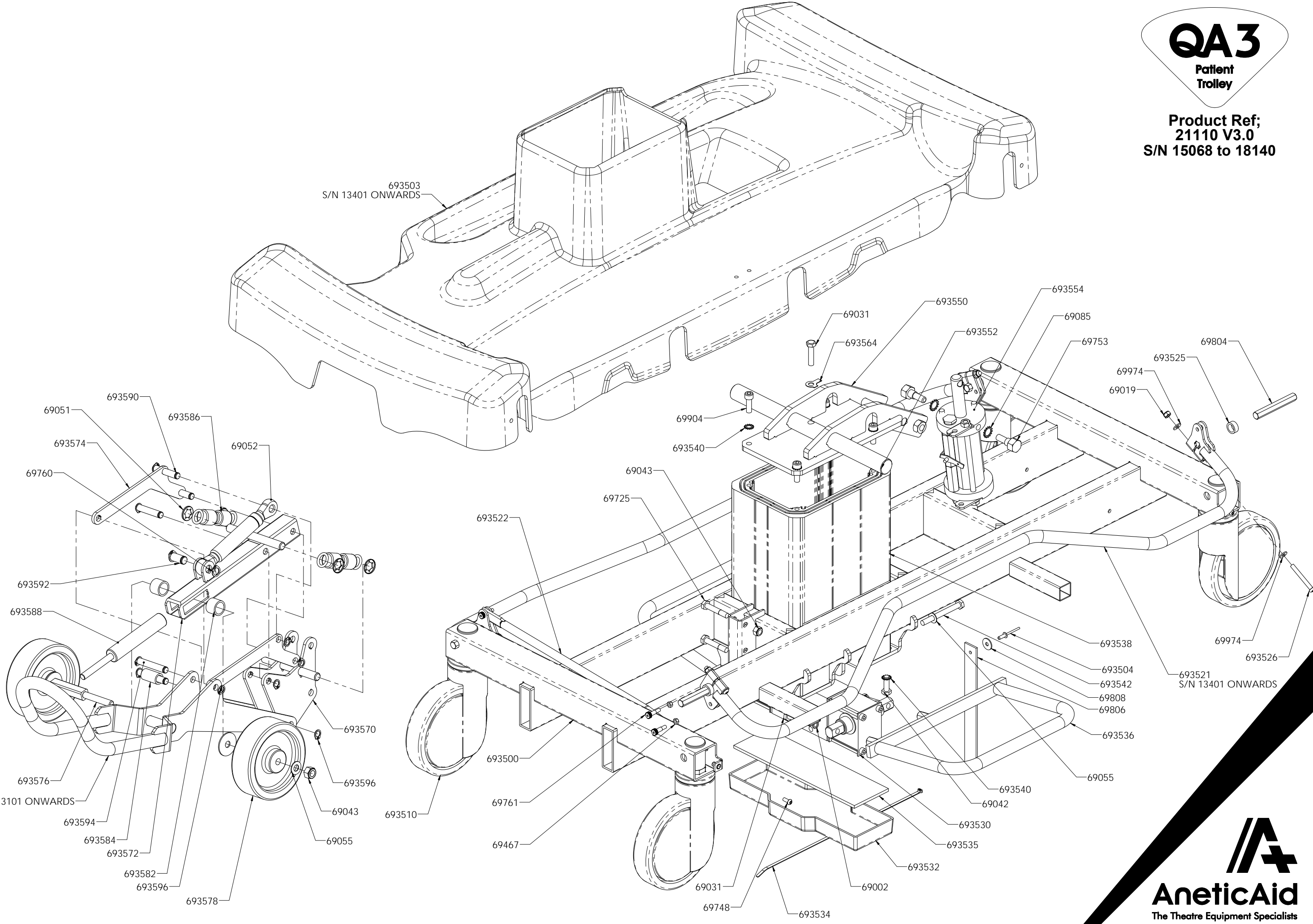


Part Identification Drawing for QA3 v3.0 Patient & Emergency Trolleys

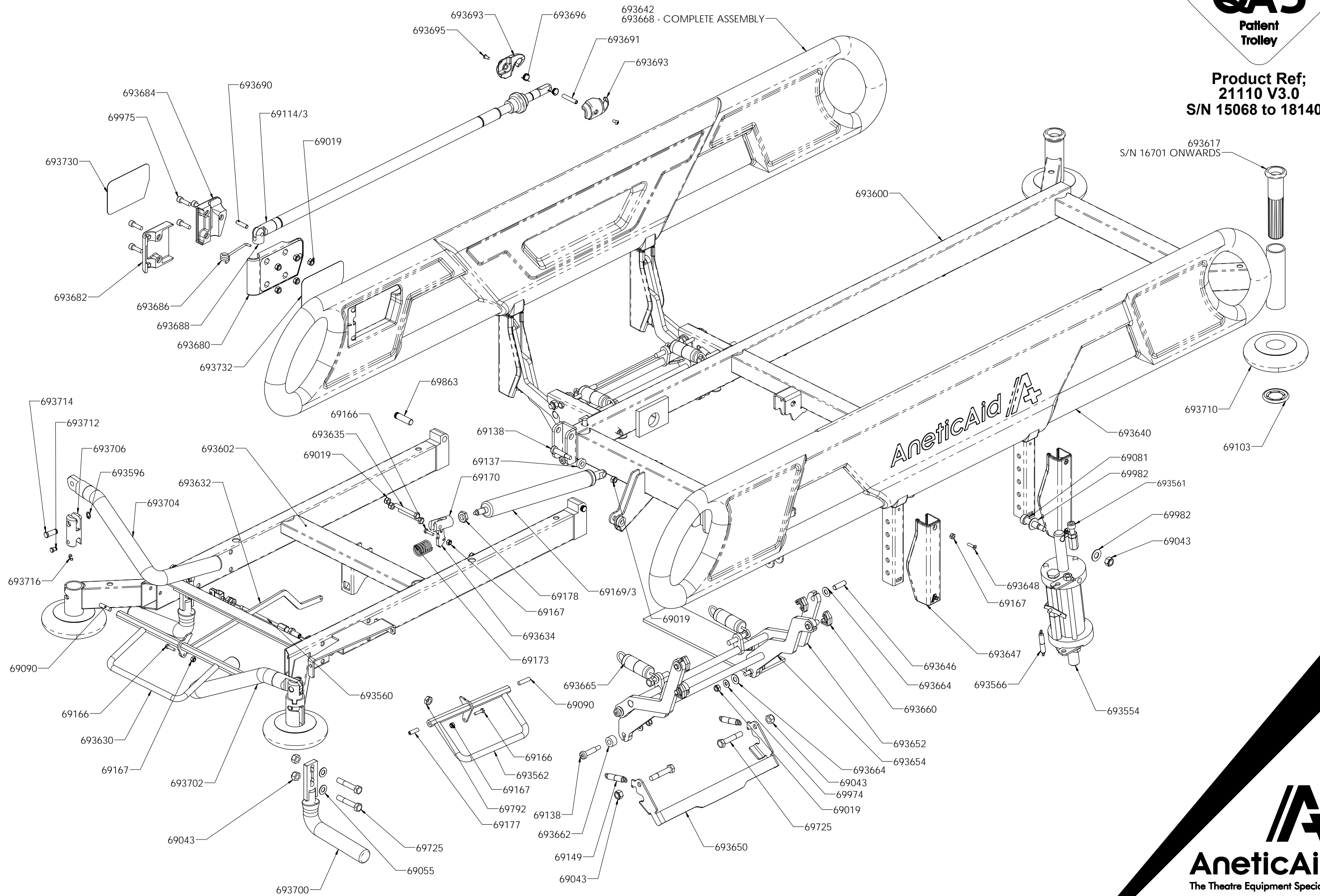


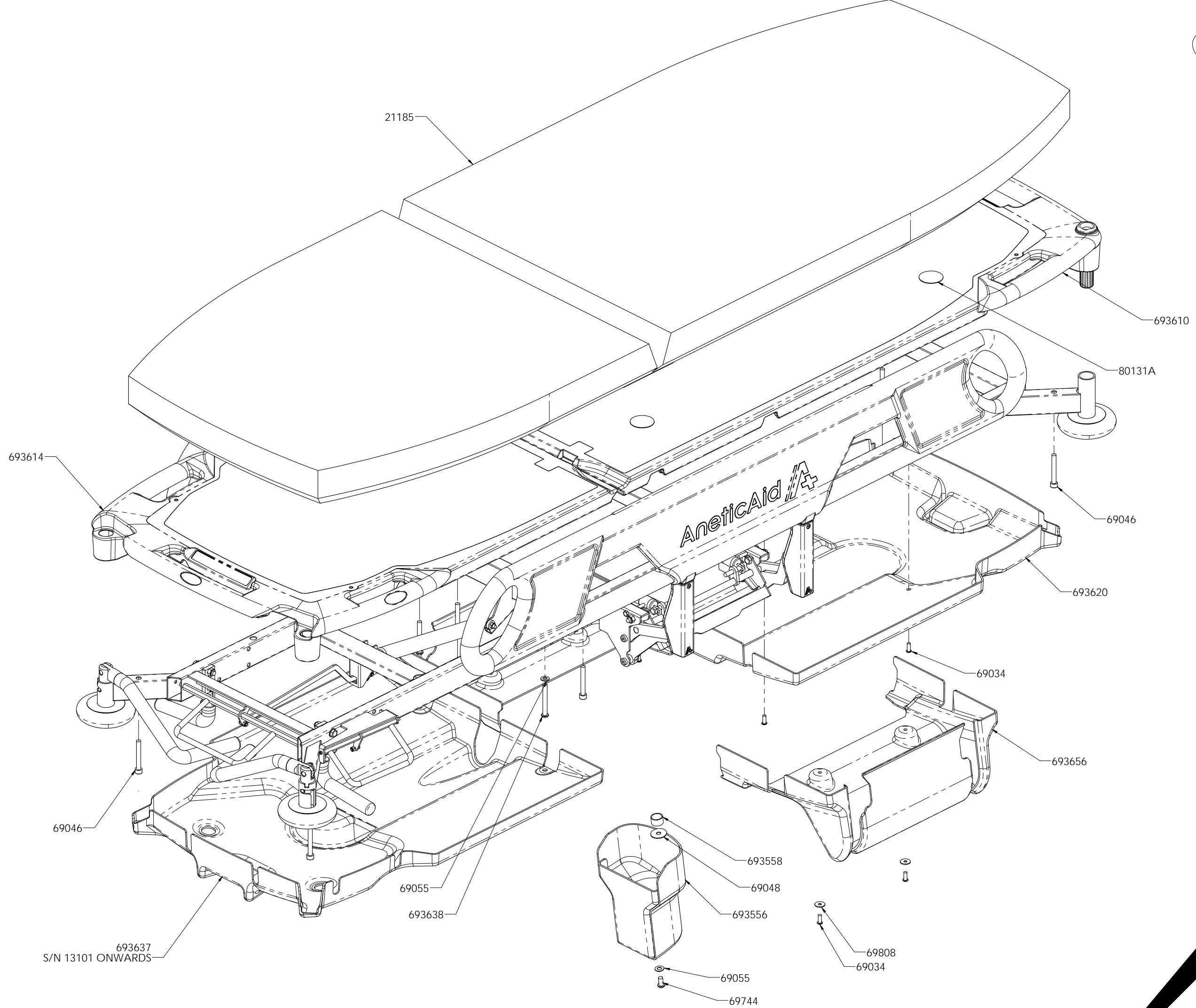
693503
S/N 13401 ONWARDS



S/N 13101 ONWARDS

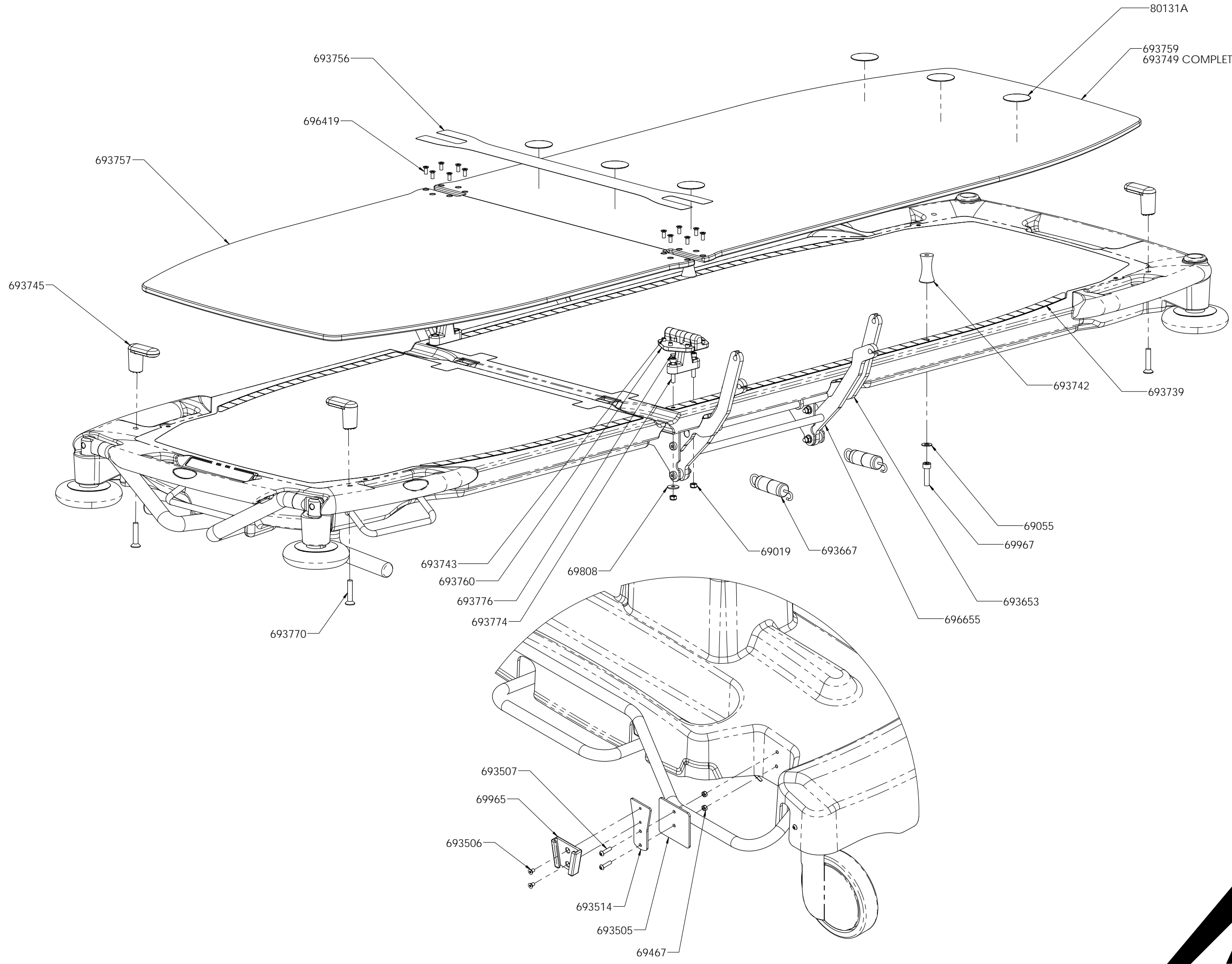
693521
S/N 13401 ONWARDS





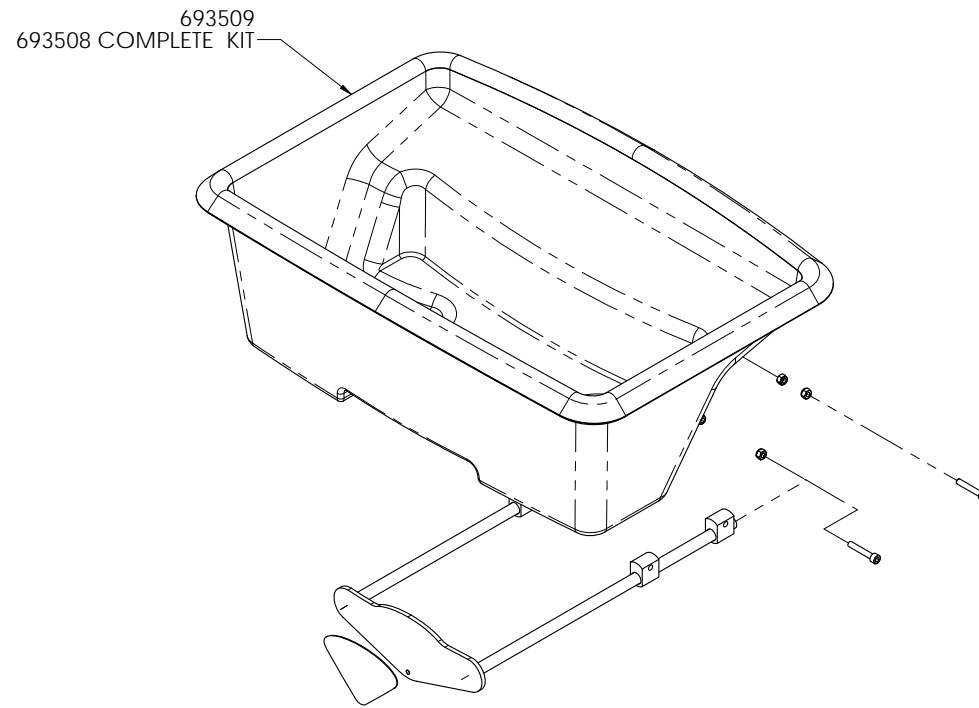


Product Ref;
21120 V3.0
S/N 15068 to 18140



AneticAid
The Theatre Equipment Specialists

AA REF	BUILD OPTIONS
693512	QA3 v3.0 CASTOR - 200mm
693531	QA3 v3.0 RAISE & LOWER - HYDRAULIC PUMP - 100mm EXTENDED
693539	QA3 v3.0 COLUMN ASSEMBLY - 100mm EXTENSION KIT
693612	QA3 v3.0 BODY FRAME MOULDED BOARD WITH PUSHING HANDLE RECESS
693649	SCREW HEAD COVER LABEL Ø8mm
693718	QA3 v3.0 PUSHING HANDLES - POP-UP FOOT-END CONVERSION KIT
693720	QA3 v3.0 LABEL - ANETIC AID BADGE
693722	QA3 v3.0 LABEL - QA3 PATIENT TROLLEY
693724	QA3 v3.0 LABEL - QA3 EMERGENCY TOLLEY
693726	QA3 v3.0 LABEL - GENERAL SHEET
693728	QA LABEL - BS EN 60601-2-52 MATTRESS REPLACEMENT WARNING
693746	QA3 v3.0 X-RAY PLATFORM - GUIDE STRIP - LONG
693748	QA3 v3.0 X-RAY PLATFORM - GUIDE STRIP - SHORT



Product Ref;
21110 V3.0
S/N 15068 to 18140



Product Ref;
21120 V3.0
S/N 15068 to 18140