

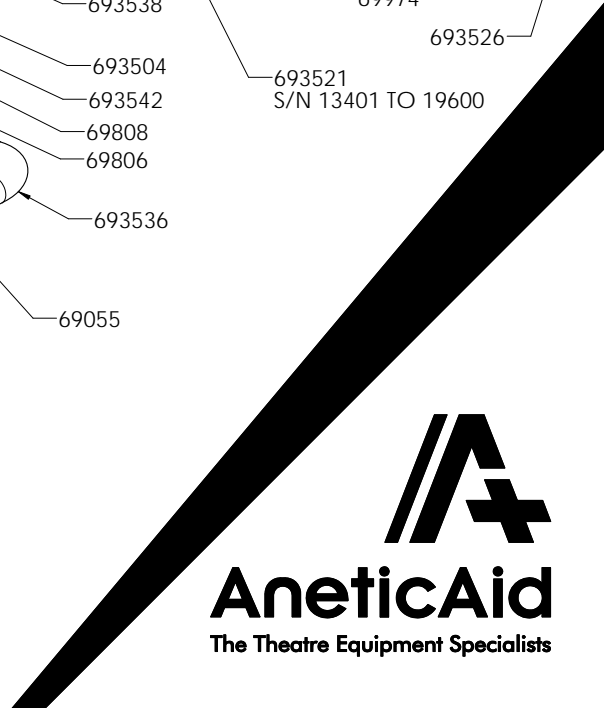
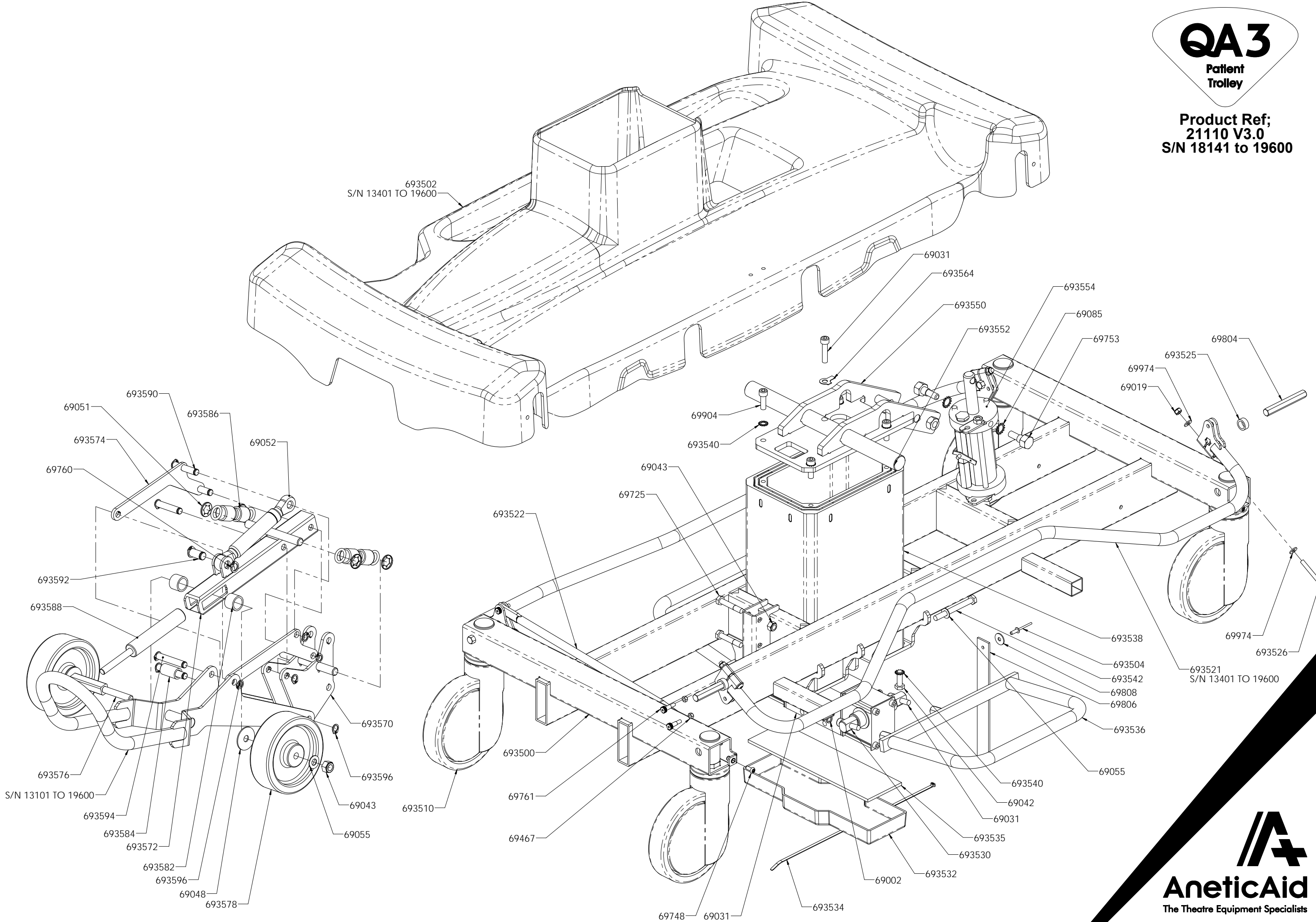
Part Identification Drawing for QA3 v3.0 Patient & Emergency Trolleys

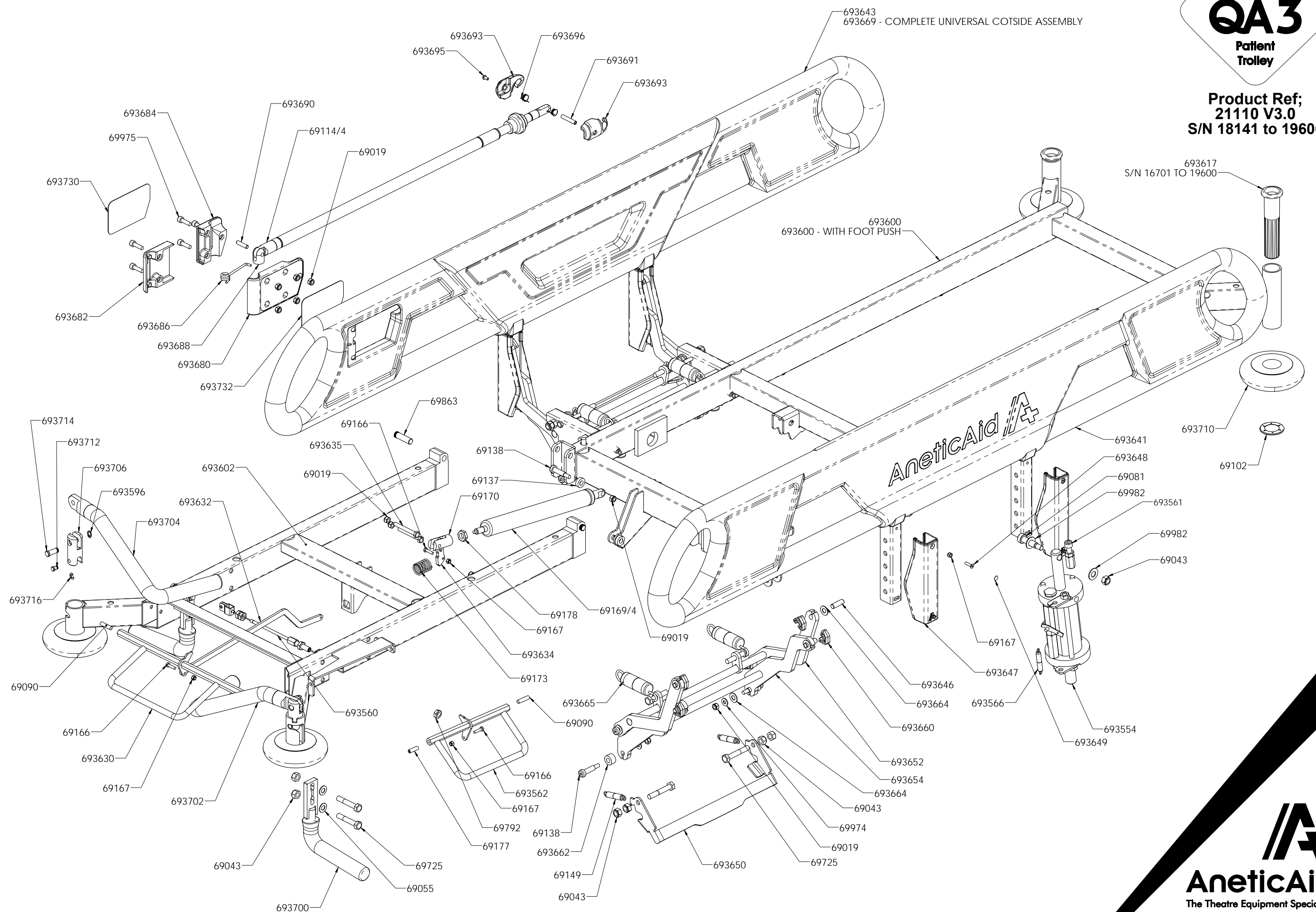


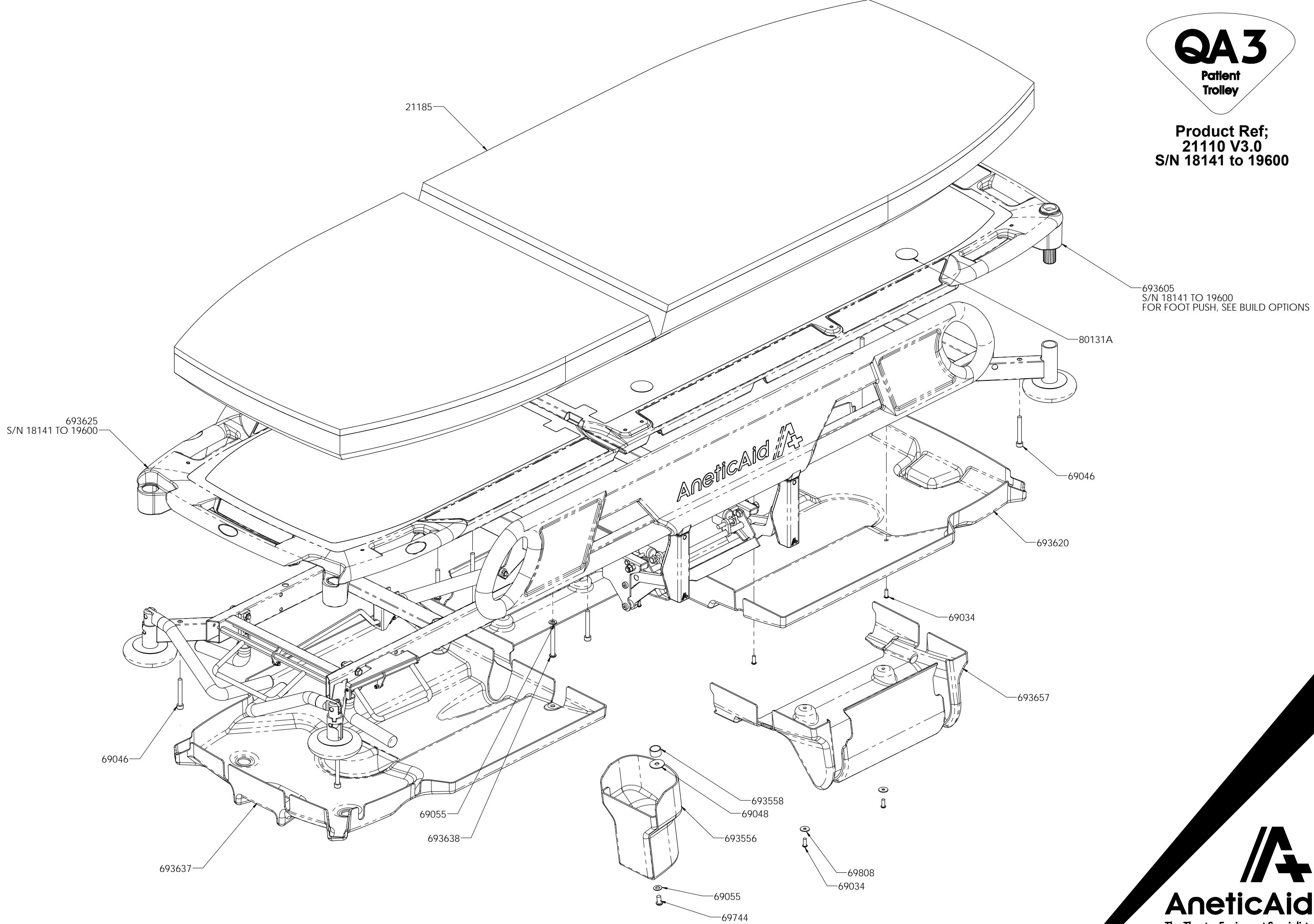
QA3

Patent
Trolley

Product Ref;
21110 V3.0
S/N 18141 to 19600





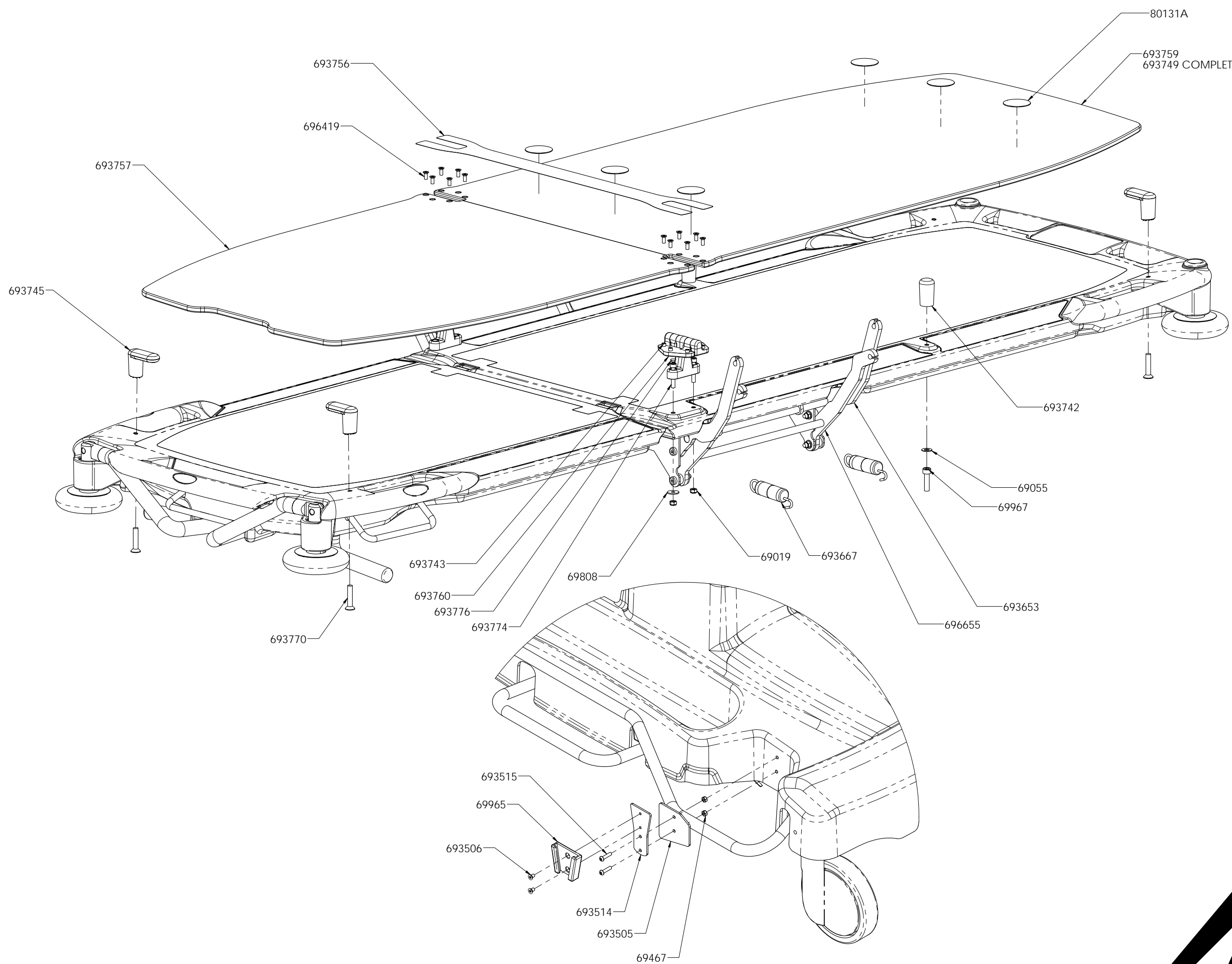


693605
S/N 18141 TO 19600
FOR FOOT PUSH, SEE BUILD OPTIONS

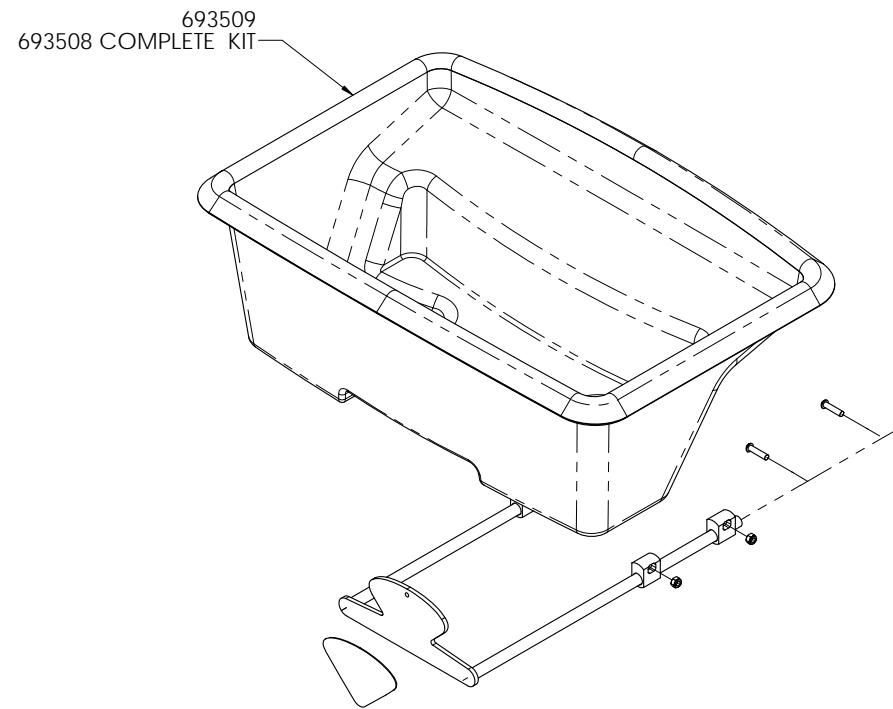
693625
S/N 18141 TO 19600



Product Ref;
21120 V3.0
S/N 18141 to 19600



| AA REF | BUILD OPTIONS |
|-----------|-------------------------------------------------------------------------------------------|
| 693512 | QA3 v3.0 CASTOR - 200mm |
| 693531 | QA3 v3.0 RAISE & LOWER - HYDRAULIC PUMP - 100mm EXTENDED |
| 693539 | QA3 v3.0 COLUMN ASSEMBLY - 100mm EXTENSION KIT |
| 693612 | QA3 v3.0 BODY FRAME MOULDED BOARD WITH PUSHING HANDLE RECESS - S/N 11681 - 18140 (ISS 15) |
| 693626 | QA3 v3.0 BODY FRAME MOULDED BOARD WITH PUSHING HANDLE RECESS - S/N 18141 TO CURRENT |
| 693718 | QA3 v3.0 PUSHING HANDLES - POP-UP FOOT-END CONVERSION KIT |
| 693720 | QA3 v3.0 LABEL - ANETIC AID BADGE |
| 693722 | QA3 v3.0 LABEL - QA3 PATIENT TROLLEY - GREY |
| 693722-C1 | QA3 v3.0 LABEL - QA3 PATIENT TROLLEY - RED |
| 693722-C2 | QA3 v3.0 LABEL - QA3 PATIENT TROLLEY - BLUE |
| 693722-C3 | QA3 v3.0 LABEL - QA3 PATIENT TROLLEY - GREEN |
| 693722-C4 | QA3 v3.0 LABEL - QA3 PATIENT TROLLEY - YELLOW |
| 693724 | QA3 v3.0 LABEL - QA3 EMERGENCY TROLLEY - GREY |
| 693724-C1 | QA3 v3.0 LABEL - QA3 EMERGENCY TROLLEY - RED |
| 693724-C2 | QA3 v3.0 LABEL - QA3 EMERGENCY TROLLEY - BLUE |
| 693724-C3 | QA3 v3.0 LABEL - QA3 EMERGENCY TROLLEY - GREEN |
| 693724-C4 | QA3 v3.0 LABEL - QA3 EMERGENCY TROLLEY - YELLOW |
| 693726 | QA3 v3.0 LABEL - GENERAL SHEET - GREY |
| 693726-C1 | QA3 v3.0 LABEL - GENERAL SHEET - RED |
| 693726-C2 | QA3 v3.0 LABEL - GENERAL SHEET - BLUE |
| 693726-C3 | QA3 v3.0 LABEL - GENERAL SHEET - GREEN |
| 693726-C4 | QA3 v3.0 LABEL - GENERAL SHEET - YELLOW |
| 693728 | QA3 v3.0 LABEL - BS EN 60601-2-52 MATTRESS REPLACEMENT WARNING |
| 693730 | QA3 v3.0 LABEL - TRANSFUSION POLE SOCKET - FRONT - GREY |
| 693730-C1 | QA3 v3.0 LABEL - TRANSFUSION POLE SOCKET - FRONT - RED |
| 693730-C2 | QA3 v3.0 LABEL - TRANSFUSION POLE SOCKET - FRONT - BLUE |
| 693730-C3 | QA3 v3.0 LABEL - TRANSFUSION POLE SOCKET - FRONT - GREEN |
| 693730-C4 | QA3 v3.0 LABEL - TRANSFUSION POLE SOCKET - FRONT - YELLOW |
| 693732 | QA3 v3.0 LABEL - TRANSFUSION POLE SOCKET - BACK - GREY |
| 693732-C1 | QA3 v3.0 LABEL - TRANSFUSION POLE SOCKET - BACK - RED |
| 693732-C2 | QA3 v3.0 LABEL - TRANSFUSION POLE SOCKET - BACK - BLUE |
| 693732-C3 | QA3 v3.0 LABEL - TRANSFUSION POLE SOCKET - BACK - GREEN |
| 693732-C4 | QA3 v3.0 LABEL - TRANSFUSION POLE SOCKET - BACK - YELLOW |
| 693738 | QA3 v3.0 LABEL - PLATFORM GRADUATION SET - GREY |
| 693738-C1 | QA3 v3.0 LABEL - PLATFORM GRADUATION SET - RED |
| 693738-C2 | QA3 v3.0 LABEL - PLATFORM GRADUATION SET - BLUE |
| 693738-C3 | QA3 v3.0 LABEL - PLATFORM GRADUATION SET - GREEN |
| 693738-C4 | QA3 v3.0 LABEL - PLATFORM GRADUATION SET - YELLOW |
| 693739 | QA3 v3.0 LABEL - PLATFORM GRADUATION SET - SN 11681 TO 18140 |
| 693746 | QA3 v3.0 X-RAY PLATFORM - GUIDE STRIP - LONG |
| 693748 | QA3 v3.0 X-RAY PLATFORM - GUIDE STRIP - SHORT |



**Product Ref;
21110 V3.0
S/N 18141 to 19600**

**Product Ref;
21120 V3.0
S/N 18141 to 19600**