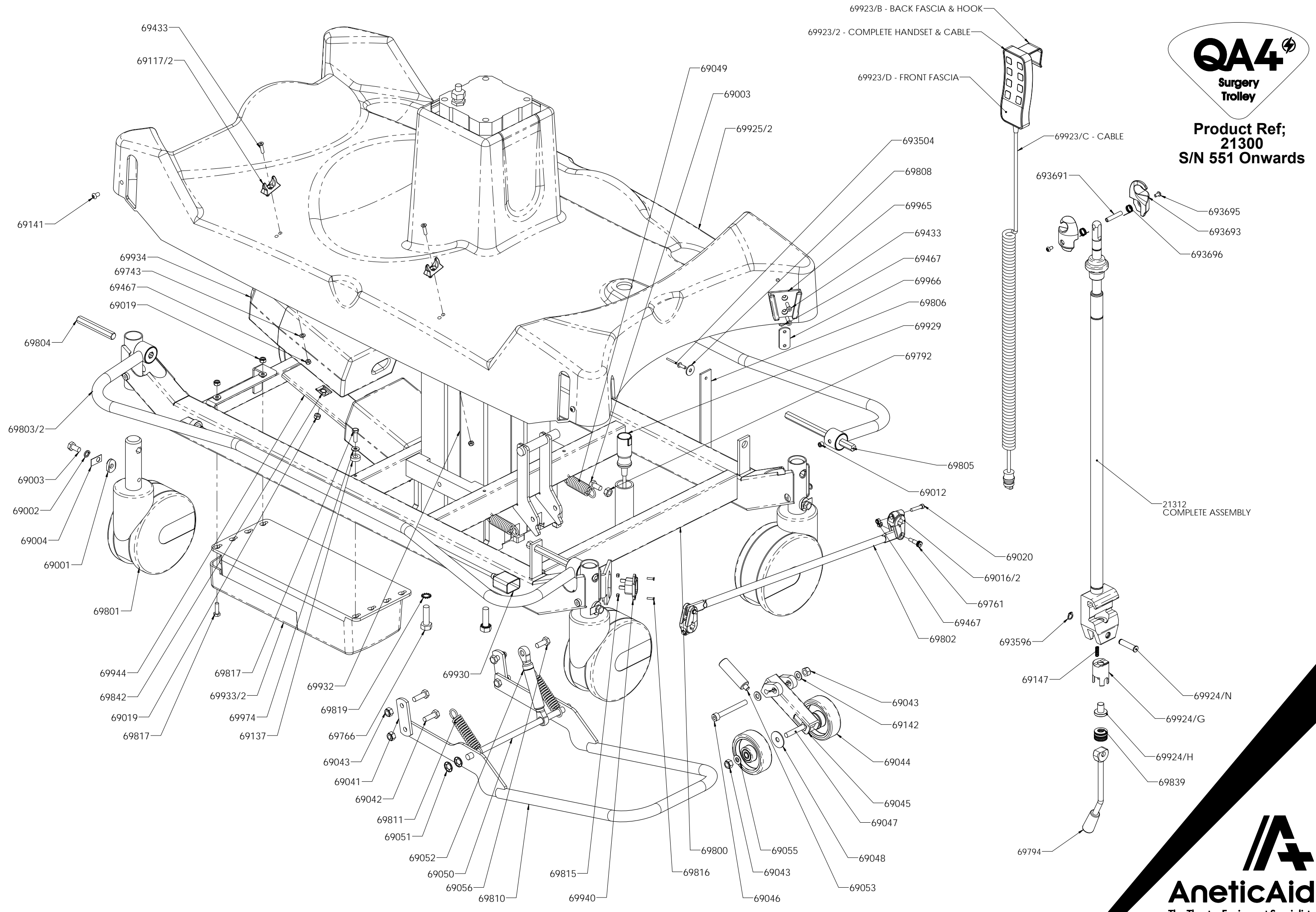


Part Identification Drawing for QA4 Powered Trolley



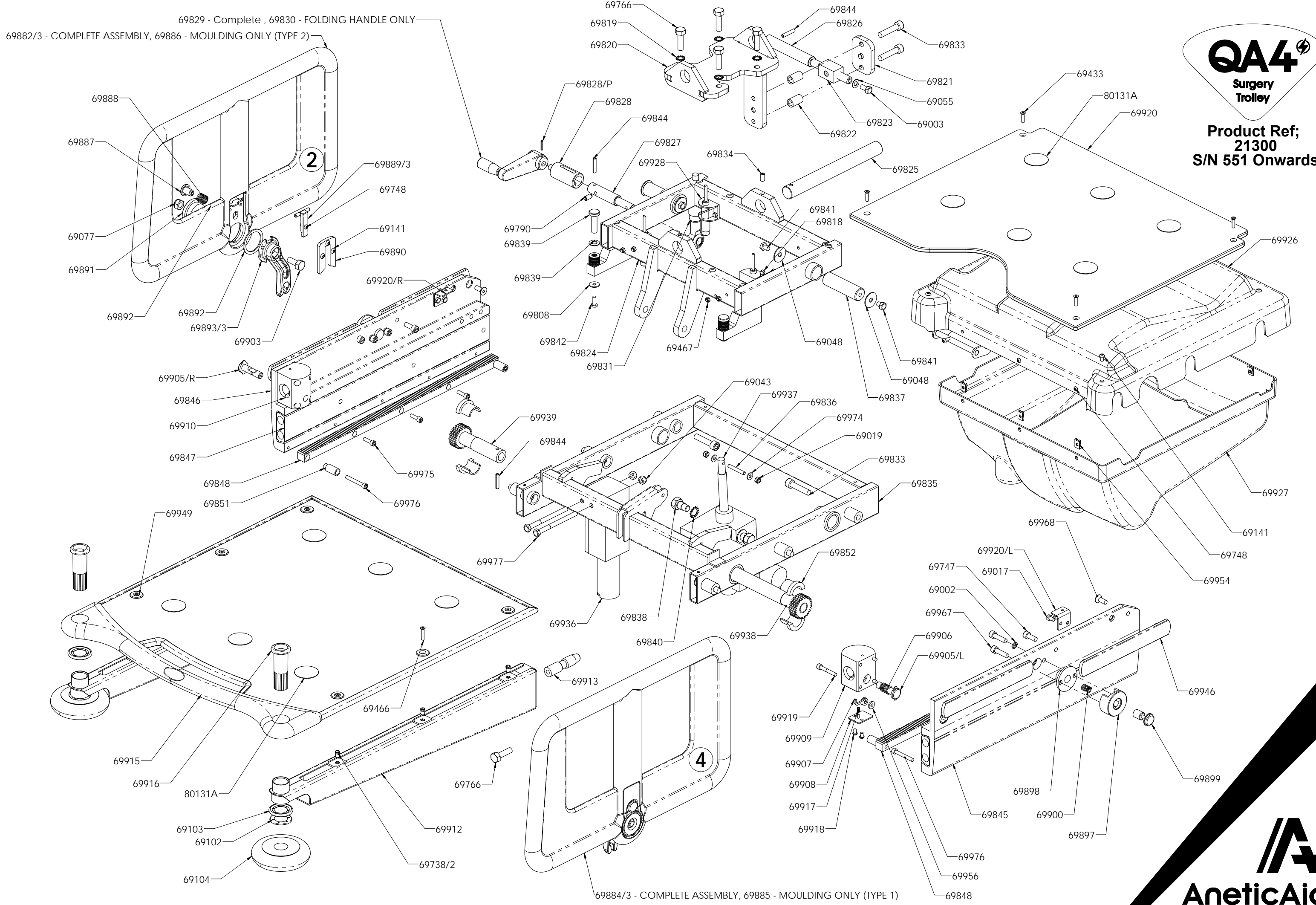


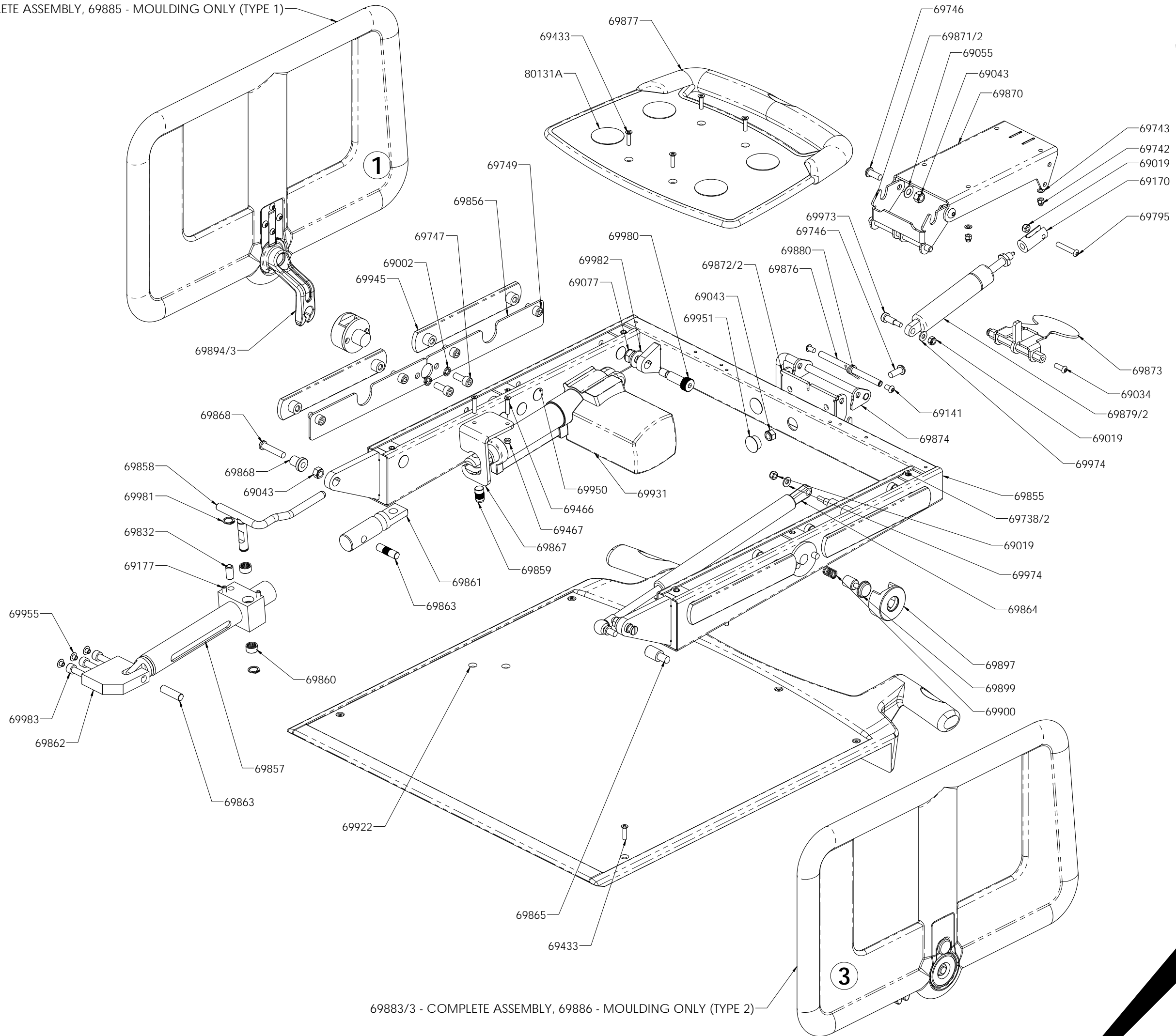
Product Ref;
21300
S/N 551 Onwards





Product Ref;
21300
S/N 551 Onwards





Product Ref;
21300
S/N 551 Onwards

69883/3 - COMPLETE ASSEMBLY, 69886 - MOULDING ONLY (TYPE 2)



