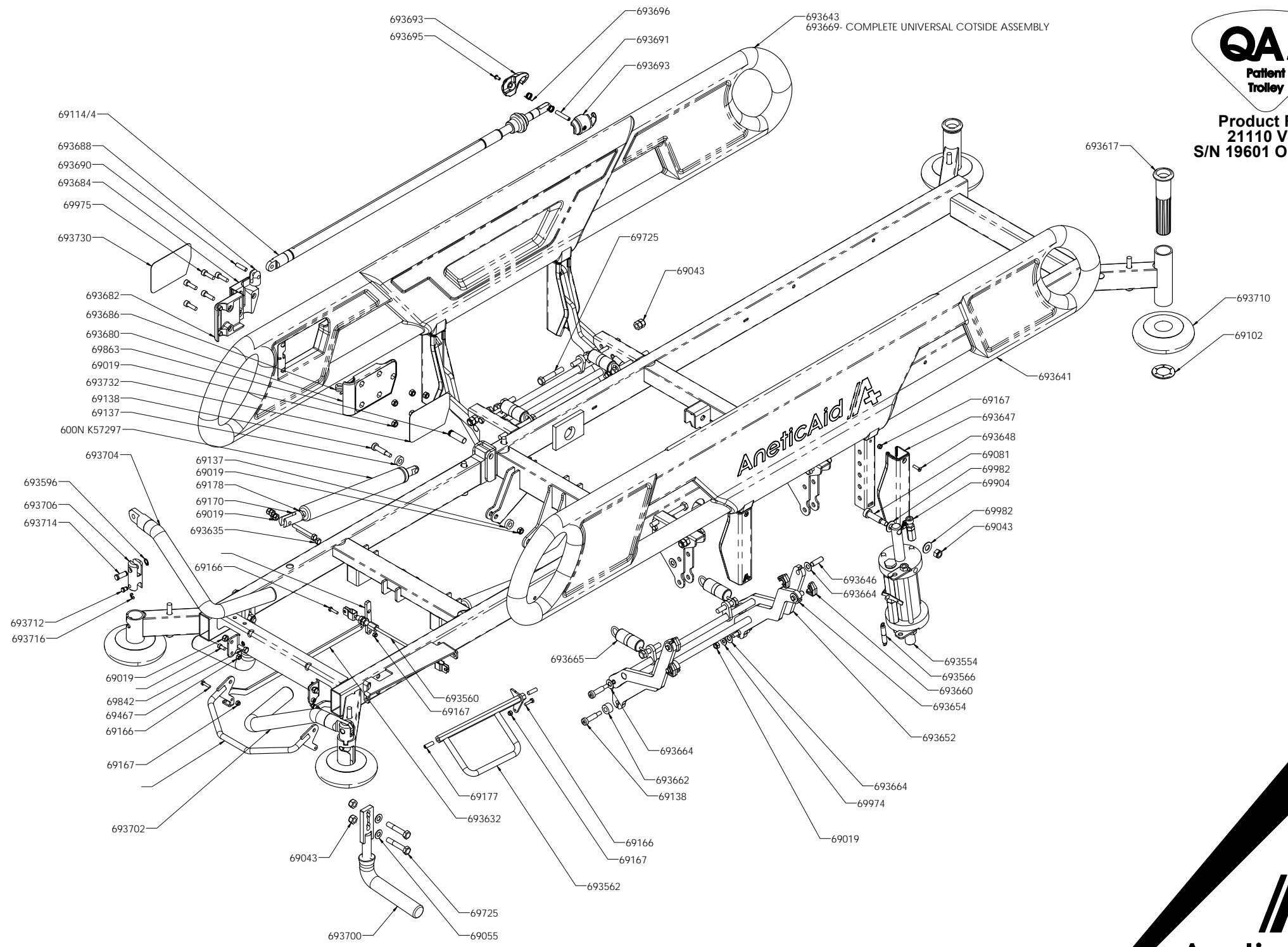


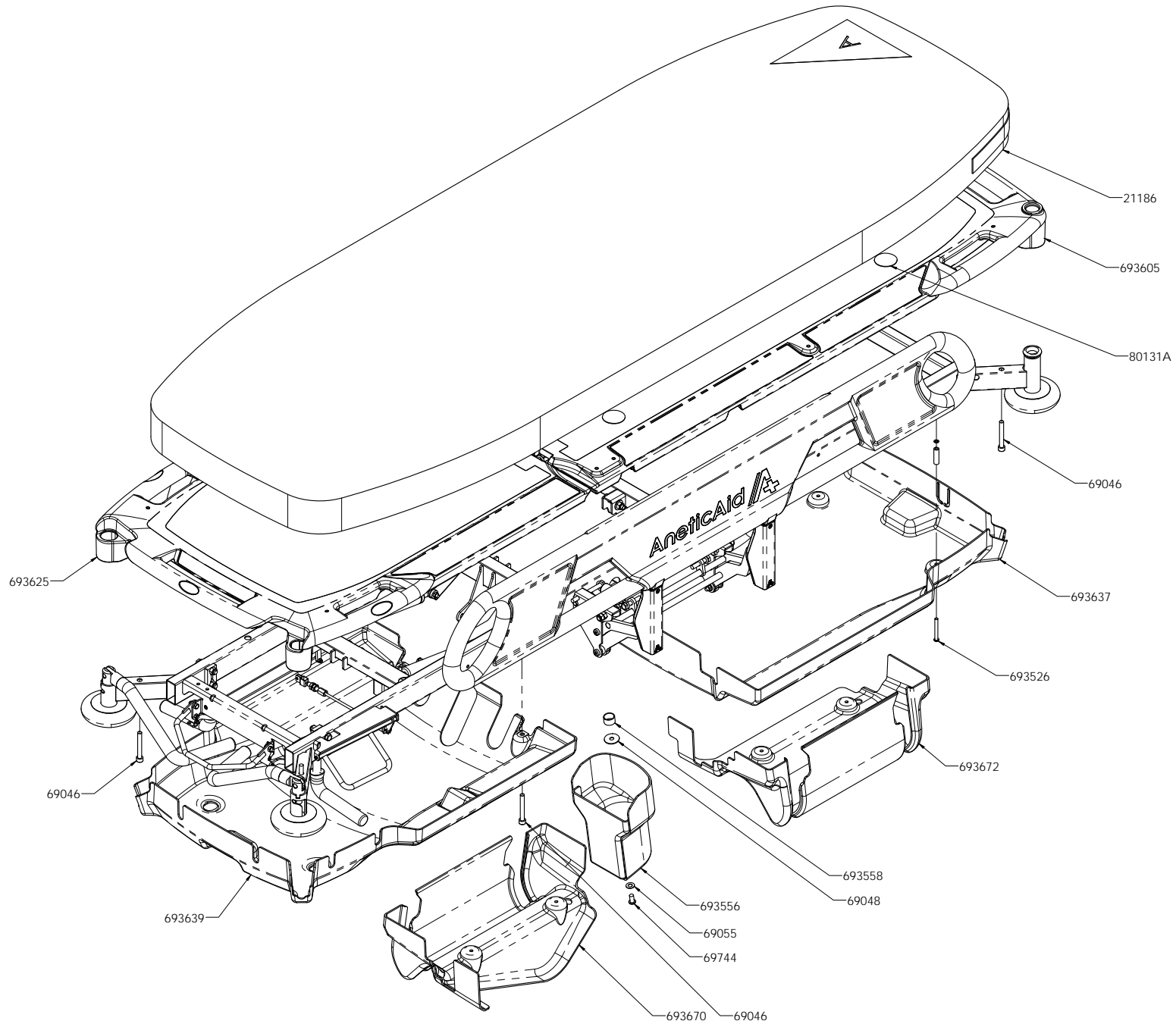
Part Identification Drawing for QA3 v4.0 Patient & Emergency Trolleys





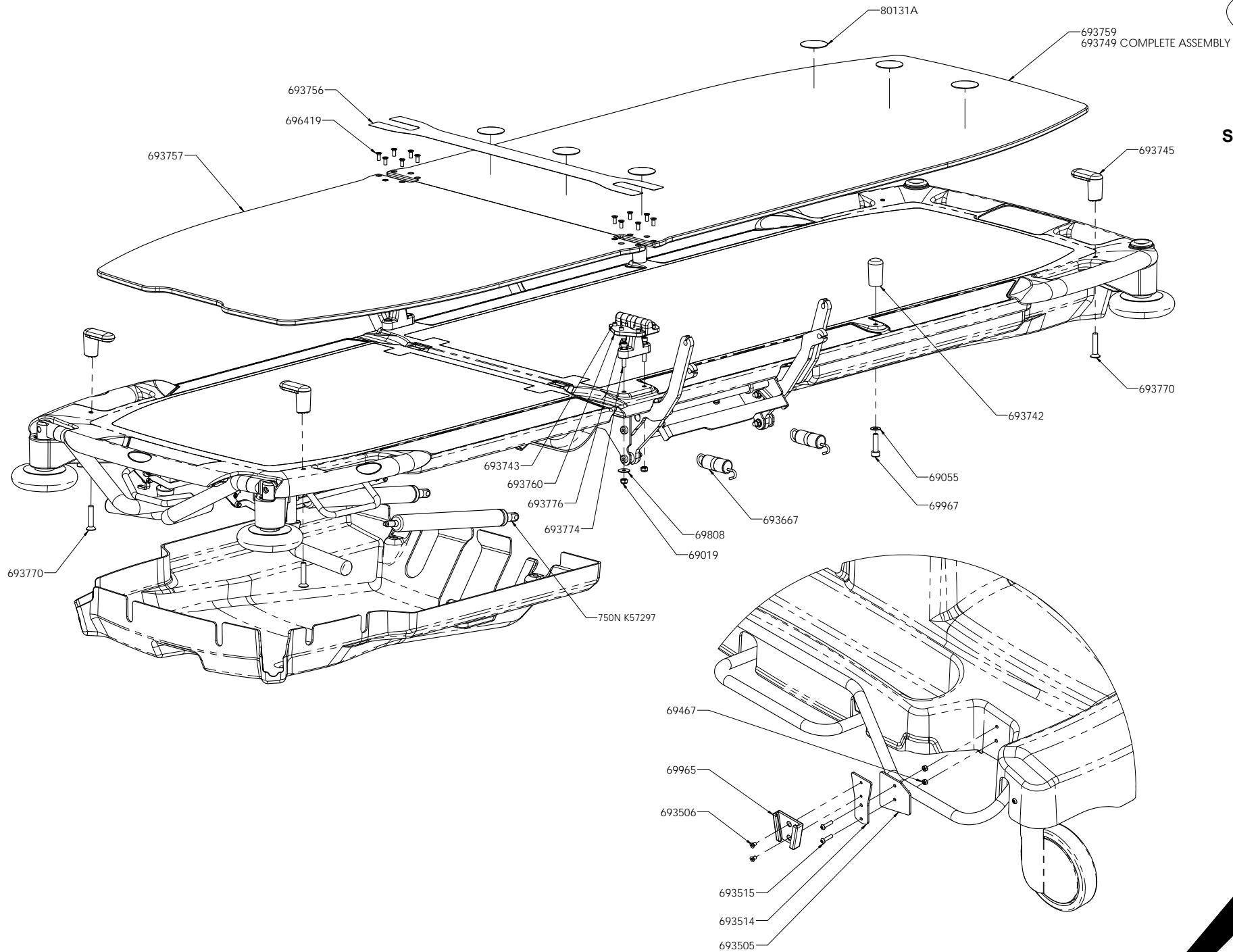
Product Ref.
21110 V4.0
S/N 19601 Onwards



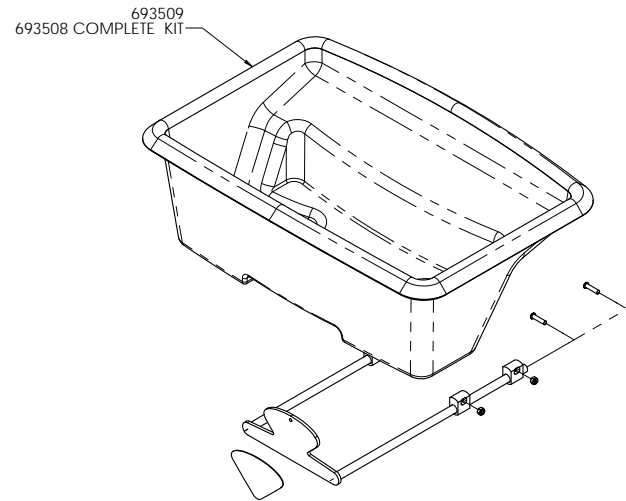




Product Ref.
21110 V4.0
S/N 19601 Onwards



AA REF	BUILD OPTIONS
693512	QA3 v3.0 CASTOR - 200mm
693531	QA3 v3.0 RAISE & LOWER - HYDRAULIC PUMP - 100mm EXTENDED
693539	QA3 v3.0 COLUMN ASSEMBLY - 100mm EXTENSION KIT
693612	QA3 v3.0 BODY FRAME MOULDED BOARD WITH PUSHING HANDLE RECESS - S/N 11681 - 18140 (ISS 15)
693626	QA3 v3.0 BODY FRAME MOULDED BOARD WITH PUSHING HANDLE RECESS - S/N 18141 TO CURRENT
693718	QA3 v3.0 PUSHING HANDLES - POP-UP FOOT-END CONVERSION KIT
693720	QA3 v3.0 LABEL - ANETIC AID BADGE
693722	QA3 v3.0 LABEL - QA3 PATIENT TROLLEY - GREY
693722-C1	QA3 v3.0 LABEL - QA3 PATIENT TROLLEY - RED
693722-C2	QA3 v3.0 LABEL - QA3 PATIENT TROLLEY - BLUE
693722-C3	QA3 v3.0 LABEL - QA3 PATIENT TROLLEY - GREEN
693722-C4	QA3 v3.0 LABEL - QA3 PATIENT TROLLEY - YELLOW
693724	QA3 v3.0 LABEL - QA3 EMERGENCY TROLLEY - GREY
693724-C1	QA3 v3.0 LABEL - QA3 EMERGENCY TROLLEY - RED
693724-C2	QA3 v3.0 LABEL - QA3 EMERGENCY TROLLEY - BLUE
693724-C3	QA3 v3.0 LABEL - QA3 EMERGENCY TROLLEY - GREEN
693724-C4	QA3 v3.0 LABEL - QA3 EMERGENCY TROLLEY - YELLOW
693726	QA3 v3.0 LABEL - GENERAL SHEET - GREY
693726-C1	QA3 v3.0 LABEL - GENERAL SHEET - RED
693726-C2	QA3 v3.0 LABEL - GENERAL SHEET - BLUE
693726-C3	QA3 v3.0 LABEL - GENERAL SHEET - GREEN
693726-C4	QA3 v3.0 LABEL - GENERAL SHEET - YELLOW
693728	QA3 v3.0 LABEL - BS EN 60601-2-52 MATTRESS REPLACEMENT WARNING
693730	QA3 v3.0 LABEL - TRANSFUSION POLE SOCKET - FRONT - GREY
693730-C1	QA3 v3.0 LABEL - TRANSFUSION POLE SOCKET - FRONT - RED
693730-C2	QA3 v3.0 LABEL - TRANSFUSION POLE SOCKET - FRONT - BLUE
693730-C3	QA3 v3.0 LABEL - TRANSFUSION POLE SOCKET - FRONT - GREEN
693730-C4	QA3 v3.0 LABEL - TRANSFUSION POLE SOCKET - FRONT - YELLOW
693732	QA3 v3.0 LABEL - TRANSFUSION POLE SOCKET - BACK - GREY
693732-C1	QA3 v3.0 LABEL - TRANSFUSION POLE SOCKET - BACK - RED
693732-C2	QA3 v3.0 LABEL - TRANSFUSION POLE SOCKET - BACK - BLUE
693732-C3	QA3 v3.0 LABEL - TRANSFUSION POLE SOCKET - BACK - GREEN
693732-C4	QA3 v3.0 LABEL - TRANSFUSION POLE SOCKET - BACK - YELLOW
693738	QA3 v3.0 LABEL - PLATFORM GRADUATION SET - GREY
693738-C1	QA3 v3.0 LABEL - PLATFORM GRADUATION SET - RED
693738-C2	QA3 v3.0 LABEL - PLATFORM GRADUATION SET - BLUE
693738-C3	QA3 v3.0 LABEL - PLATFORM GRADUATION SET - GREEN
693738-C4	QA3 v3.0 LABEL - PLATFORM GRADUATION SET - YELLOW
693739	QA3 v3.0 LABEL - PLATFORM GRADUATION SET - SN 11681 TO 18140
693746	QA3 v3.0 X-RAY PLATFORM - GUIDE STRIP - LONG
693748	QA3 v3.0 X-RAY PLATFORM - GUIDE STRIP - SHORT



Product Ref;
21110 V4.0
S/N 19601 Onwards



Product Ref;
21120 V4.0
S/N 19601 Onwards