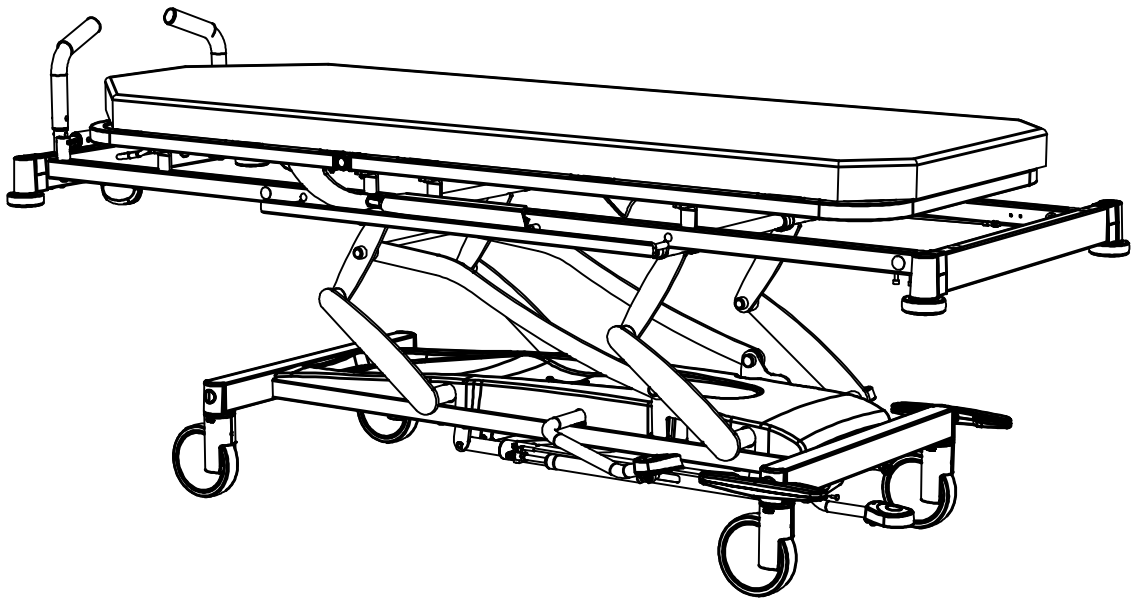


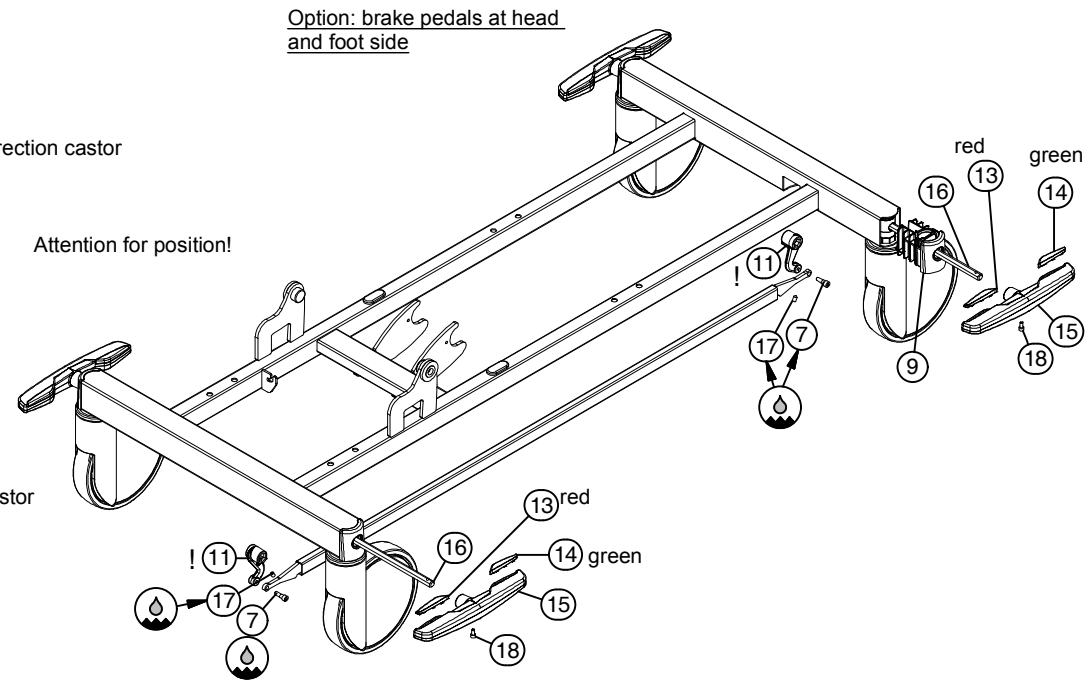
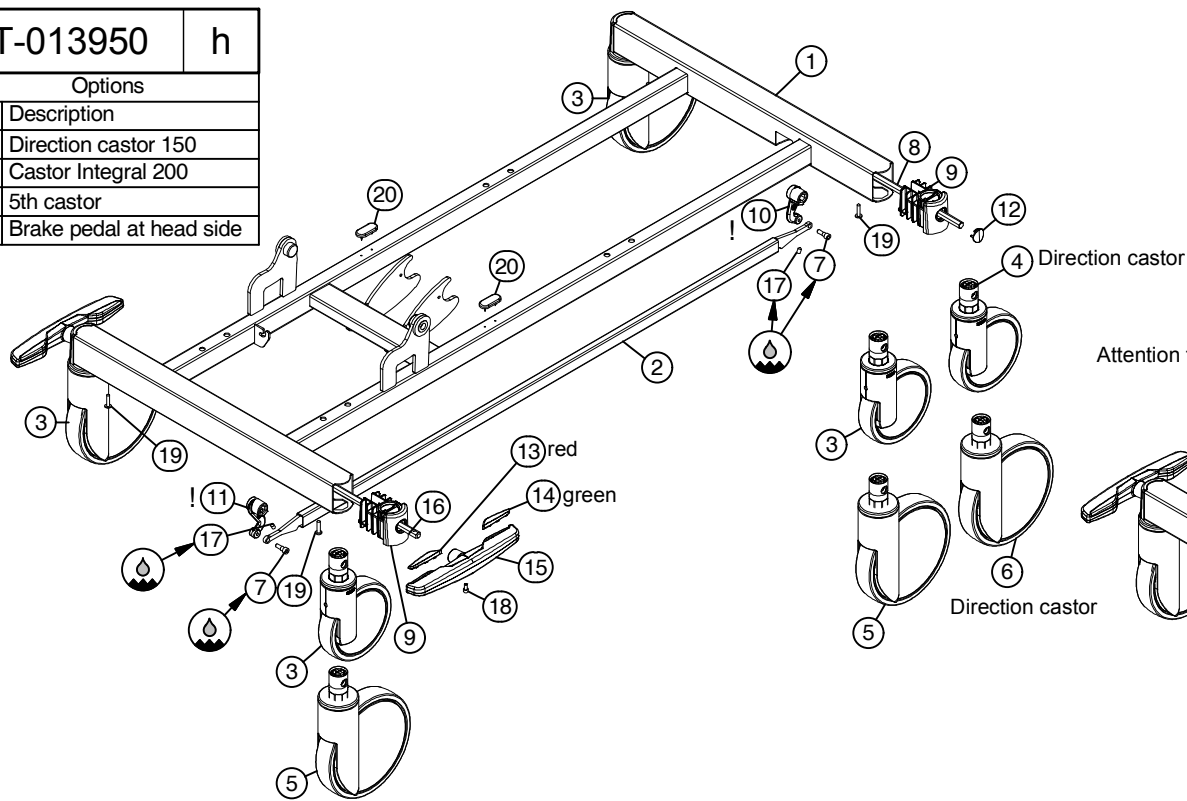
Bill of Material

---

## Vico stretcher

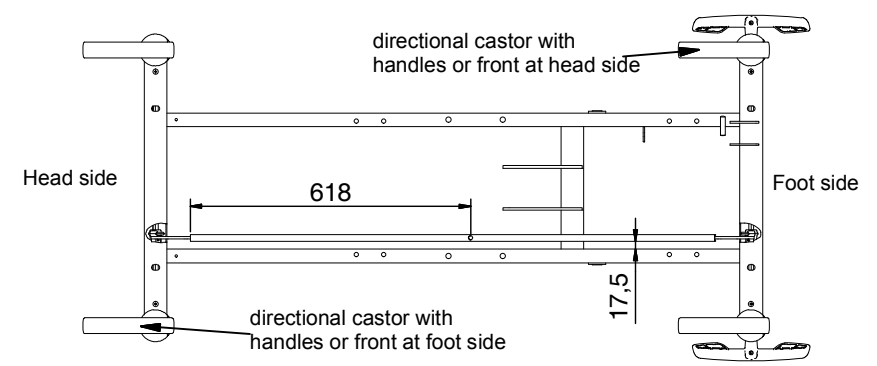


T-013950		h
Options		
ID.	Description	
A	Direction castor 150	
B	Castor Integral 200	
C	5th castor	
D	Brake pedal at head side	



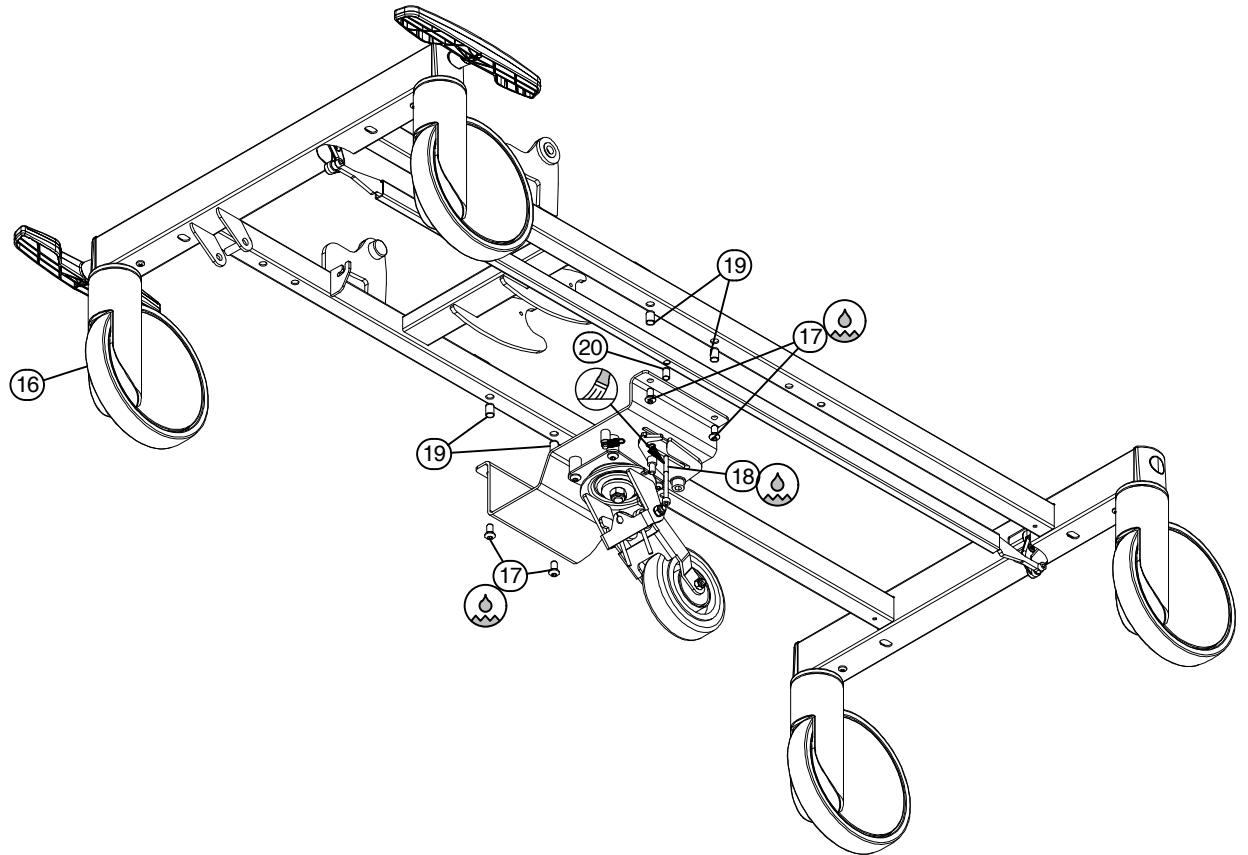
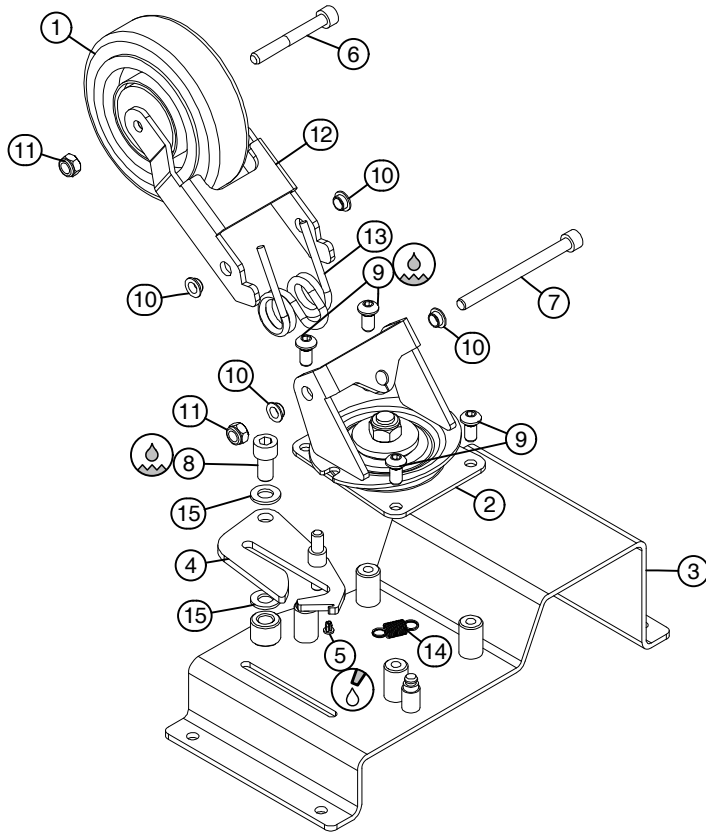
ID	Description	Q
1	A-011634 frame undercarriage Vico	1
2	A-012342 drive central brake Vico	1
3	A-020491 Integral S 150-CB35-octagon	A -1; B-4; C -4 4
4	A-020492 Integral S 150-CB35-DC-octagon	A +1 0
5	A-022583 Integral 200-CB35-octagon	B +3; C +4 0
6	A-022584 Integral 200-CB35-DC-octagon	B +1 0
7	B-015008 bolt central brake	2
8	P-014380 hexagonal rod head Vico	D -1 1
9	P-014396 castor fixation 32-CB	4
10	P-014621 head lever central brake (S)	D -1 1
11	P-014717 foot lever central brake (L)	D +1 1
12	P-015672 cap castor fixation	D -2 2
13	P-026307 indicator type A double brake pedal 2016	D +2 2
14	P-026324 indicator type B double brake pedal 2016	D +2 2
15	P-026327 double brake pedal 2016	D +2 2
16	P-027860 hexagonal rod Vico double brake pedal 2016	D +1 1
17	S-001939 set screw Din914-M6x10 GV white	2
18	S-014995 screw type TT12-M5x10-GV white	D +2 2
19	S-015945 screw Din7981C-5.5x25	4
20	ST000047 slide with nails	2

Position central brake bar & directional castor




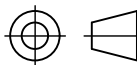
if the handles or front is at both sides, check the order for the correct position of the directional castor

Description: <b>undercarriage Vico stretcher</b>	Scale: 1 : 12	
	Designer: David V. Date: 9/04/2010	
L. Bekaertstraat 8 - 8770 Ingelmunster, Belgium Tel.: +32(0)51 48 66 95 Fax.:+32(0)51 48 73 19		
All rights reserved. Reproduction in whole or in part is prohibited without the written consent of Haelvoet NV Drawing nr.: T-013950 Revision nr.: h		



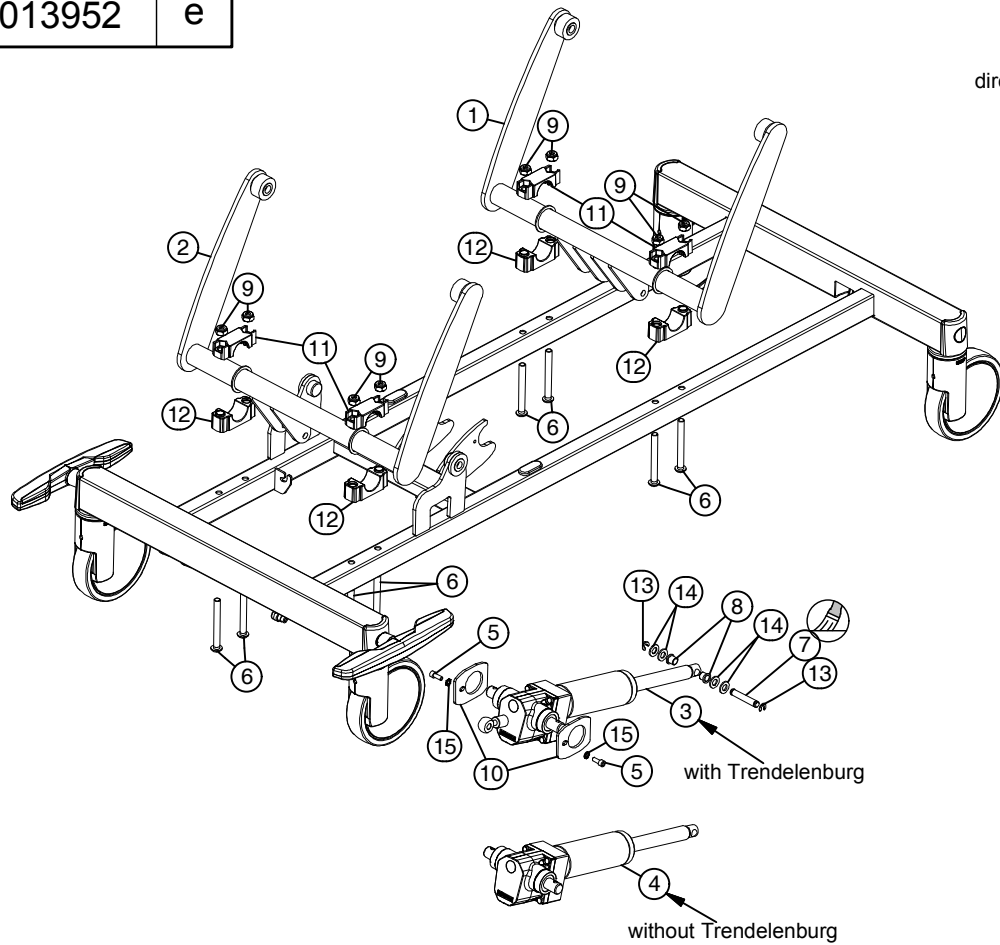
	ID	Description	Q
1	A-012132	wheel dia 125	1
2	A-012410	turning plate 5th wheel	1
3	A-013677	mounting plate 5th wheel stretcher	1
4	A-013679	locking device Vico	1
5	AD019228	cap PR 7/4	1
6	B-000742	bolt Din912-M8x65-8.8 GV white	1
7	B-000747	bolt Din912-M8x100-8.8 GV white	1
8	B-000787	bolt Din912-M10x20x20-8.8 GV white	1
9	B-010844	bolt Iso7380-M8x16x16-10.9 GV white-LC	8
10	GL000510	bearing 081014-05	4
11	M-000189	check nut Din985-M8-8-GV	2
12	P-013632	fork wheel	1
13	P-013833	spring direction wheel	1
14	ST014684	spring 10x0.8x16/0.8 (2x double German eye)	1
15	VL000469	washer Din125A-M10-PA	2

	ID	Description	Q
16	A-022583	Integral 200-CB35-octagon	4
17	B-010844	bolt Iso7380-M8x16x16-10.9 GV white-LC	8
18	B-035134	bolt Din912-M6x70-12.9 GV white	1
19	ST010602	insert small countersunk-M8x16-St GV	4
20	ST013341	insert small countersunk-M6x14.5-St GV	1

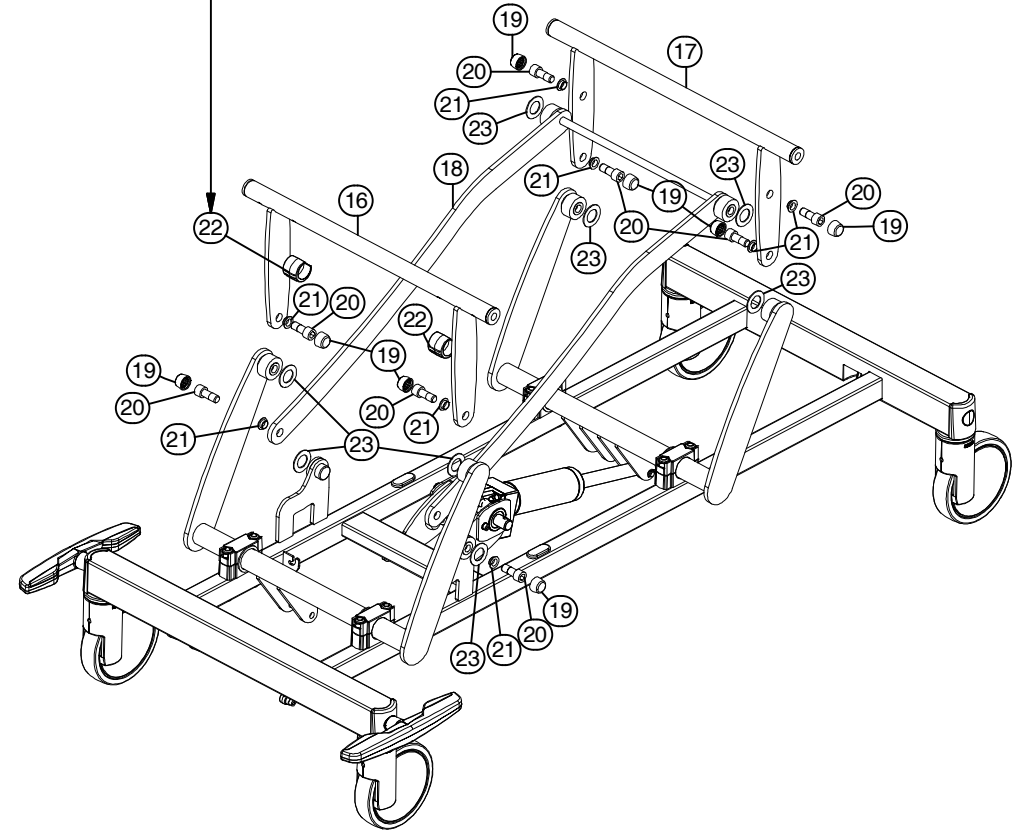
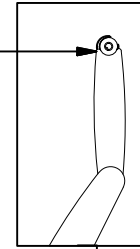
			
		<b>Description:</b> mounting 5th wheel stretcher Vico	
All rights reserved. Reproduction in whole or in part is prohibited without the written consent of Haelvoet NV - L. Bekaertstraat 8 8870 Ingelmunster - Tel: +32 (0)51 48 66 95		Designer:	
		Date: 09/04/2010	Scale: 1 : 10
		Drawing nr.: T-013949	Revision nr.: e

T-013952

e



direction foot side!



	ID	Description	Q
16	A-012864	top lever foot Vico stretcher	1
17	A-012866	top lever head Vico stretcher	1
18	A-013539	stabilisator	1
19	AD003053	grey cap M12	8
20	B-003235	bolt Din912-M12x30x14-8.8 GV white	8
21	GI000620	bearing 1214-06	8
22	ST015252	saddle base 28-30	2
23	VL016293	bearing flange 2238-015	8

ID	Description	Q
1	A-011639 bottom lever head	1
2	A-011644 bottom lever foot	1
3	A-013377 hydraulic pump 9500N-IL252-SL140-pressure relief	1
4	A-013447 hydraulic pump 9500N-IL252-SL140	1
5	B-000651 bolt Din912-M6x16x16-8.8 GV white	2
6	B-006313 bolt Iso7380-M10x90x90-10.9 GV white	8
7	DC000449 axle motor	1
8	GL017646 bearing 101216-12	2
9	M-000136 check nut Din985-M10	8
10	P-002384 fork hydraulic pump	2
11	P-005972 bearing 35 - top	4
12	P-014284 bearing 35-bottom side type 2	4
13	ST010662 axle locking ring 14/7x1.3	2
14	VL000469 washer Din125A-M10-PA	4
15	VL002143 washer Din6798A-M6	2

Description:  
high-low system Vico stretcher (1)

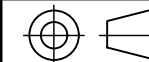
All rights reserved. Reproduction in whole or in part is prohibited without the written consent of Haelvoet NV

Drawing nr.: T-013952 Revision nr.: e

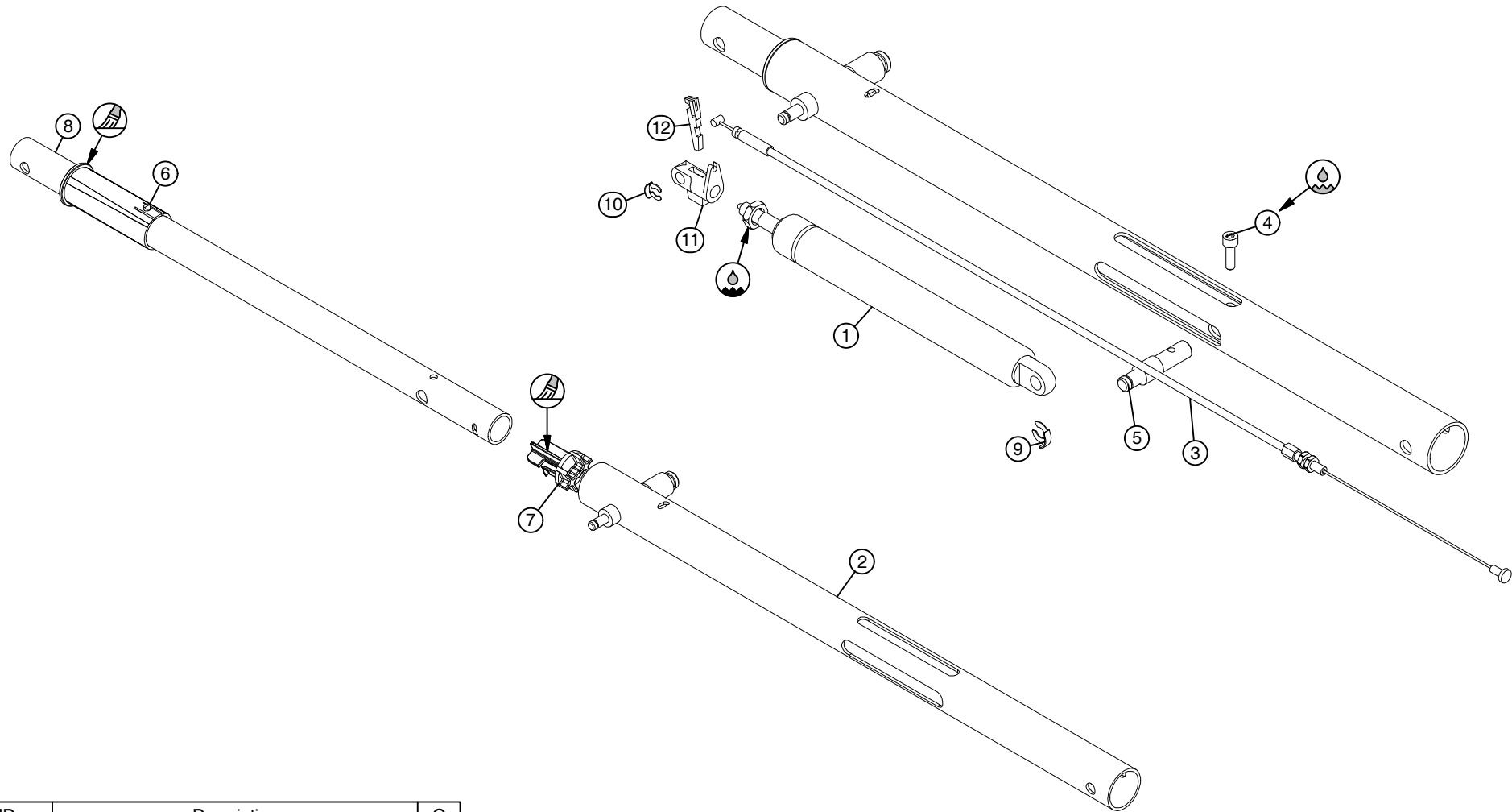
Scale: 1:12

Designer:  
Wouter A.


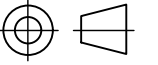
Date: 12/04/2010

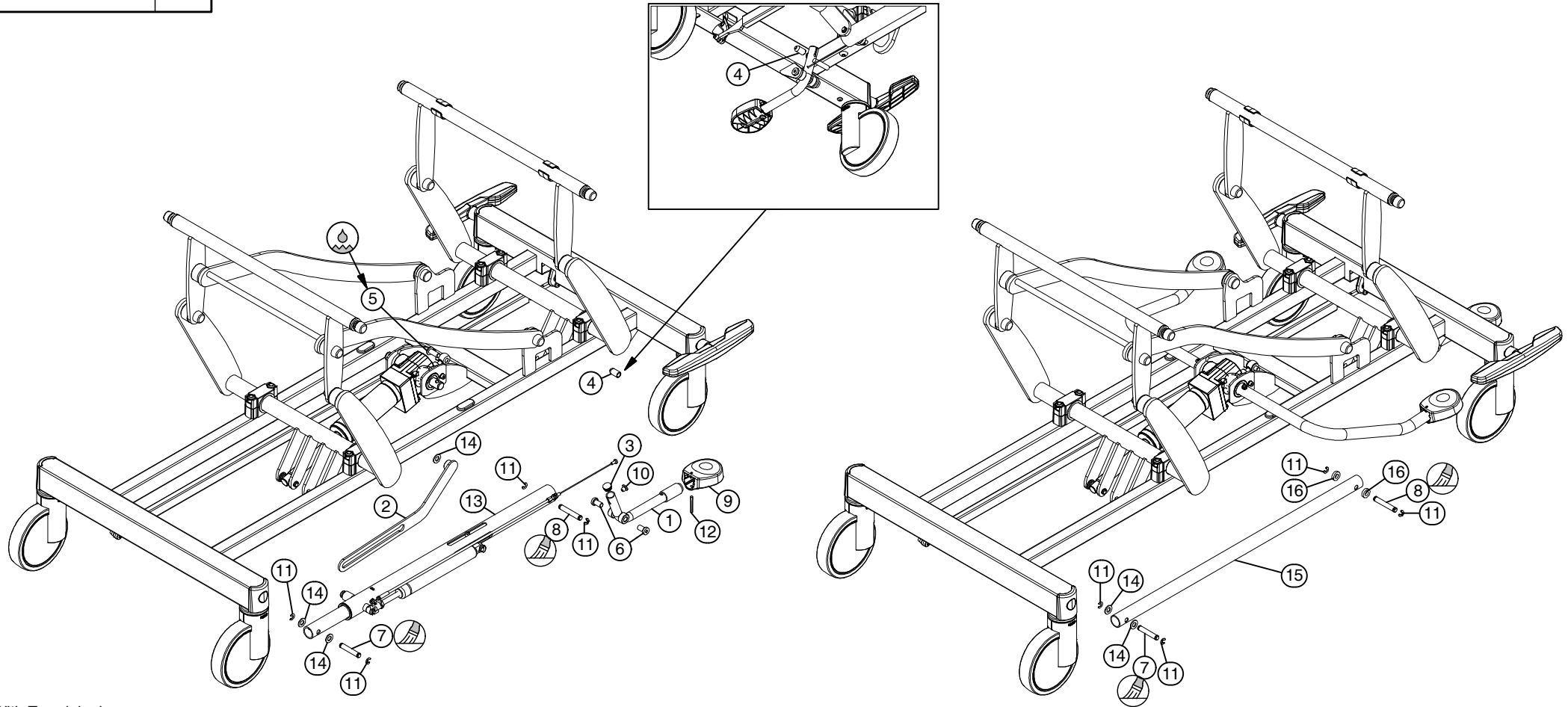


L. Bekaertstraat 8 - 8770 Ingelmunster, Belgium  
Tel.: +32(0)51 48 66 95 Fax.:+32(0)51 48 73 19



	ID	Description	Q
1	A-000723	gas spring 28B-SL100-IL240-900N	1
2	A-012377	guide trendelenburg	1
3	A-012450	Bowden cable trend Vico	1
4	B-000652	bolt Din912-M6x20x20-8.8 GV white	1
5	DC014932	fixing axle gas spring	1
6	P-012936	guiding cage Calandro bottom	1
7	P-013614	guiding tap Calandro top	1
8	P-014931	tube Trendelenburg	1
9	ST000465	springfix diam.10	1
10	ST000797	springfix diam.8	1
11	ST005073	release head M10 dia8	1
12	ST005074	release lever	1

	Scale: 1 : 4	
	Designer: Ionut Ionutas	
	Date: 19/10/2009	
Description: trendelenburg mechanism		
All rights reserved. Reproduction in whole or in part is prohibited without the written consent of Haelvoet NV Drawing nr.: T-013355 Revision nr.: 9		
L. Bekaertstraat 8 - 8770 Ingelmunster, Belgium Tel.: +32(0)51 48 66 95 Fax.:+32(0)51 48 73 19		


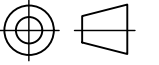


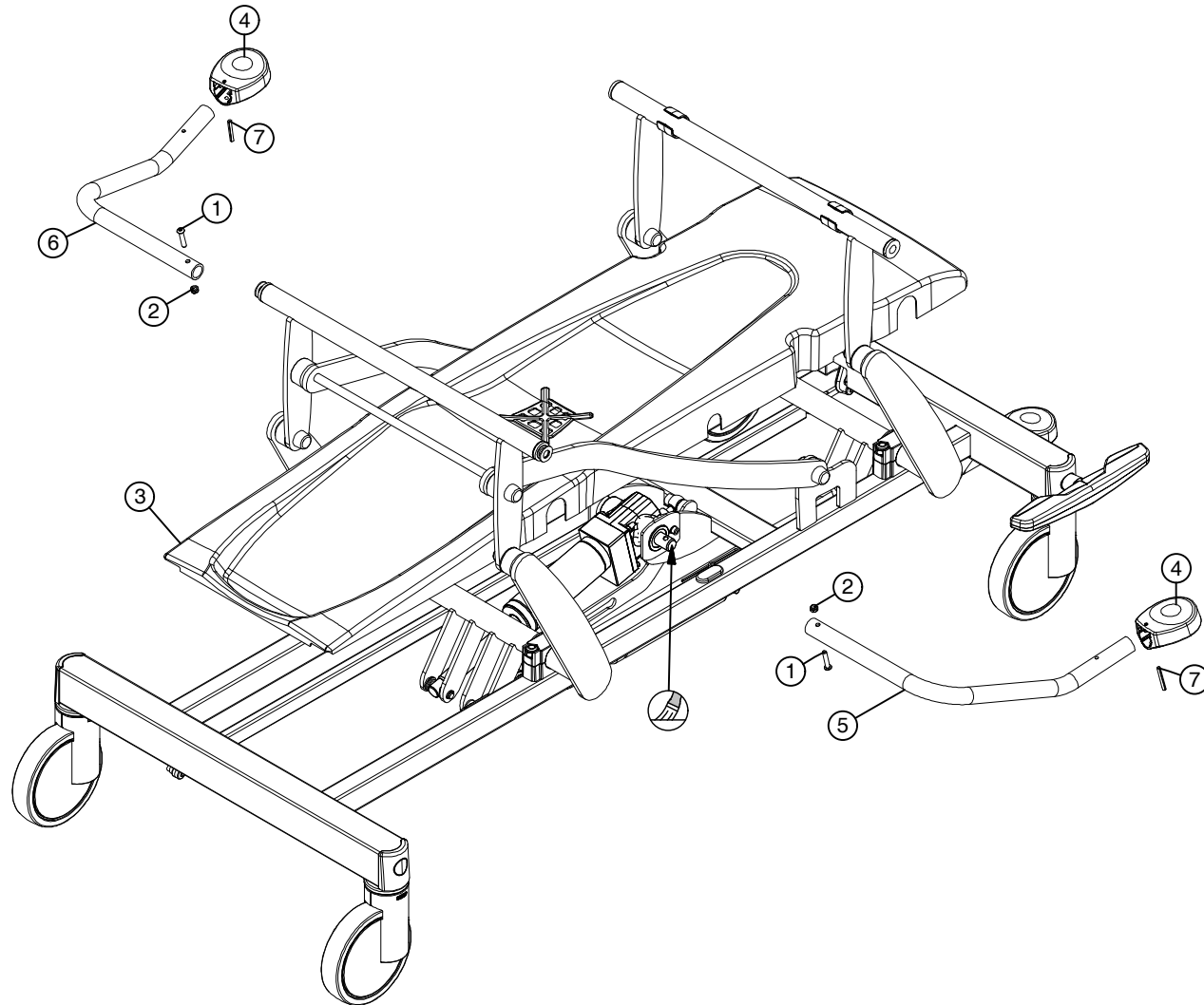
With Trendelenburg

ID	Description	Q
1	A-012270 pedal Trendelenburg	1
2	A-012352 pulling fork pressure relief	1
3	AD004473 cap PR 18mm	1
4	AD016158 cap solid 10mm L19	1
5	B-000254 bolt Iso7380-M10x25x25-10.9 GV white	1
6	B-003317 bolt-M10x18x12-GV white	2
7	DC000449 axle motor	1
8	DC014939 axle trendelenburg	1
9	P-015611 treadle	1
10	ST000141 buffer 14x2/8x7	1
11	ST010662 axle locking ring 14/7x1.3	4
12	ST015495 grooved pin Din1471-5x40-St	1
13	T-013355 trendelenburg mechanism	1
14	VL000469 washer Din125A-M10-PA	3


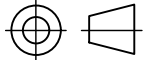
Without Trendelenburg

ID	Description	Q
15	P-015864 drive HL	1
16	VL004120 synthetic washer 20x10x5	2

Description: high-low system Vico stretcher (2)	Scale: 1:12	
	Designer: Wouter A.	
Date: 12/04/2010		L. Bekaertstraat 8 - 8770 Ingelmunster, Belgium Tel.: +32(0)51 48 66 95 Fax.:+32(0)51 48 73 19
All rights reserved. Reproduction in whole or in part is prohibited without the written consent of Haelvoet NV		



	ID	Description	Q
1	B-006389	bolt Iso7380-M6x30x30-10.9 GV white	2
2	M-000137	check nut Din985-M6	2
3	P-014775	cover Vico (option)	1
4	P-015611	treadle	2
5	P-015821	arm treadle R	1
6	P-015853	arm treadle L	1
7	ST015495	grooved pin Din1471-5x40-St	2

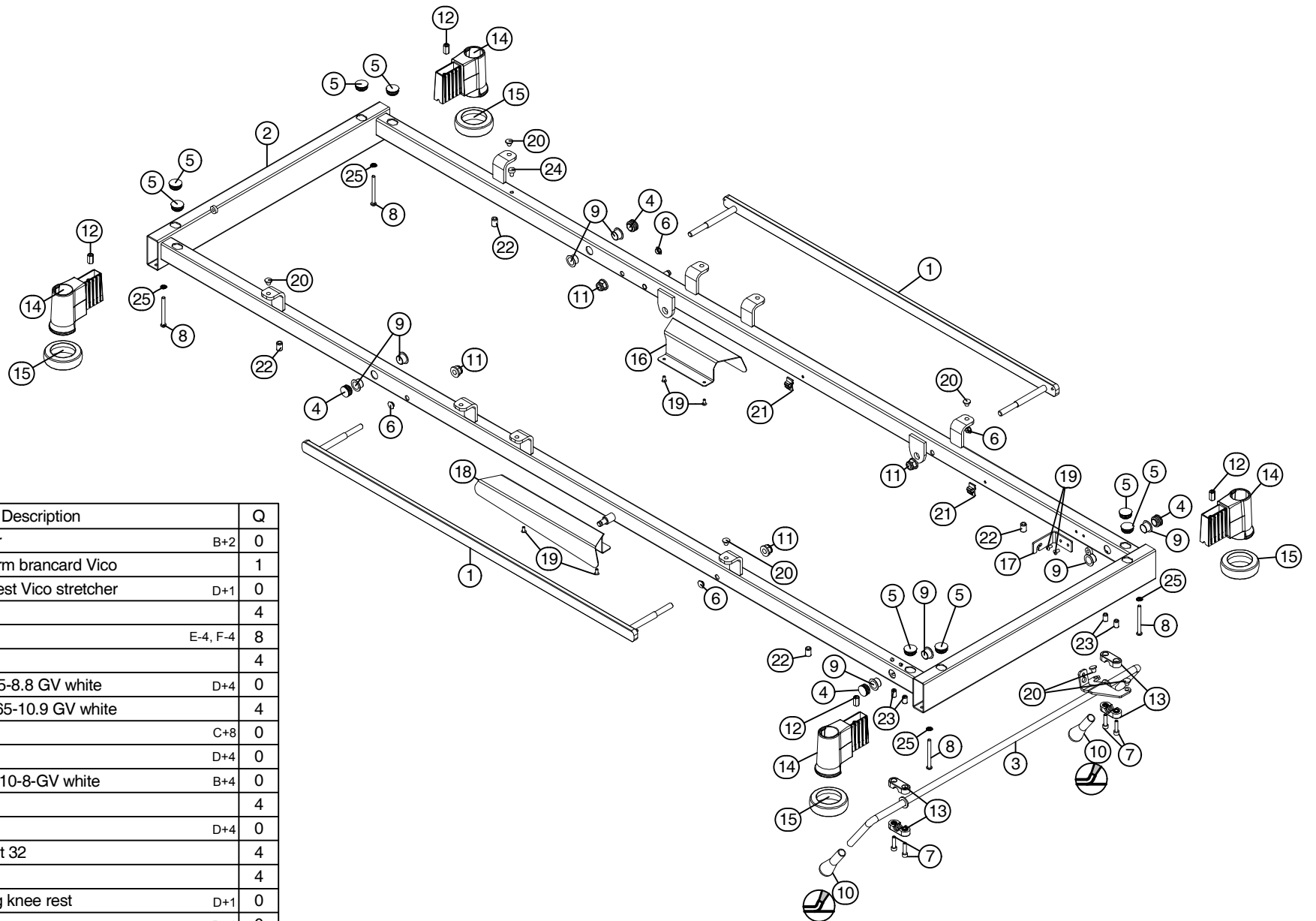
Description: high-low system Vico stretcher (3)	Scale: 1:10	
	Designer: Wouter A.	
All rights reserved. Reproduction in whole or in part is prohibited without the written consent of Haelvoet NV Drawing nr.: T-013954 Revision nr.: c	Date: 12/04/2010	
	L. Bekaertstraat 8 - 8770 Ingelmunster, Belgium Tel.: +32(0)51 48 66 95 Fax.:+32(0)51 48 73 19	

T-013974


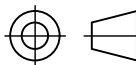
9

## Options

ID.	Description
A	fixed height
B	DIN rail
C	Atmosphere side rails
D	4-sections mattress platform
E	3-section IV rod holder
F	Collapsible handle



ID	Description	Q
1	A-012872 DIN rail Vico stretcher	B+2 0
2	A-015015 frame mattress platform brancard Vico	1
3	A-015032 control handle knee rest Vico stretcher	D+1 0
4	AD000637 cap PR 22mm	4
5	AD000890 cap PR 25mm	E-4, F-4 8
6	AD012577 cap PR 15/11	4
7	B-000653 bolt Din912-M6x25x25-8.8 GV white	D+4 0
8	B-010240 bolt Iso7380-M6x65x65-10.9 GV white	4
9	GL000553 bearing 1618-12	C+8 0
10	HG012252 handle (yellow)	D+4 0
11	M-013638 flange nut Din6926-M10-8-GV white	B+4 0
12	M-015222 nut M6x18-10 GV	4
13	P-005501 support CPR release	D+4 0
14	P-014412 bumper wheel support 32	4
15	P-014413 bumper wheel 75	4
16	P-021200 cover plate gas spring knee rest	D+1 0
17	P-021279 fixation bowden cable	D+1 0
18	P-023469 cover plate gas spring backrest II	1
19	R-000461 rivet Alu/St 4.8x10	D+4 2
20	ST000141 buffer 14x2/8x7	D+4 2
21	ST002069 cable clip 7-8mm (push-in)	D+2 0
22	ST010602 insert small countersunk-M8x16-St GV	A+4 0
23	ST013341 insert small countersunk-M6x14.5-St GV	D+4 0
24	ST016561 grommet foot	1
25	VL002143 washer Din6798A-M6	4

 Haelvoet			
			<b>Description:</b> assembly frame mattress platform Vico stretcher
All rights reserved. Reproduction in whole or in part is prohibited without the written consent of Haelvoet NV - L. Bekaertstraat 8 8870 Ingelmunster - Tel: +32 (0)51 48 66 95		<b>Date:</b> 16/04/2010 <b>Drawing nr.:</b> T-013974	<b>Scale:</b> 1 : 11 <b>Revision nr.:</b> 9

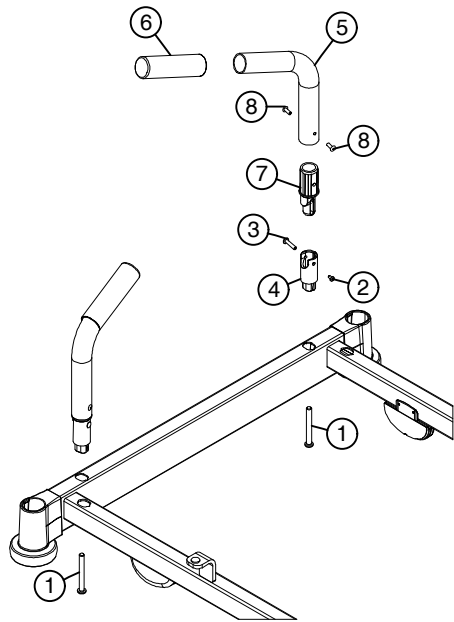


T-014567

e

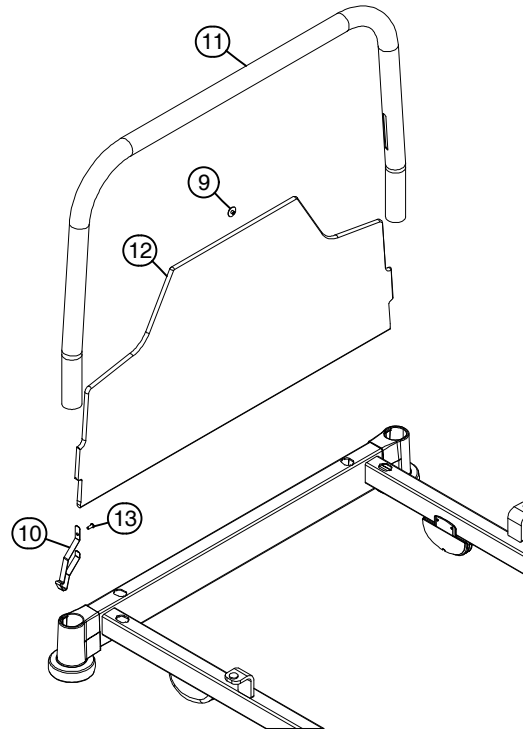
Set of inclinable handles  
optional at foot side

	ID	Description	Q
1	B-016544	bolt Iso7380-M8x70x70-10.9 GV white	2
2	B-017743	bolt Iso7380-M4x8x8-10.9 GV white	2
3	DB014239	threaded bush-M4x25-GV	2
4	P-015131	coupling - case	2
5	P-015176	tube handle	2
6	P-015191	handle (yellow)	2
7	P-015799	coupling - pin	2
8	R-001694	rivet A2/A2 4.8x14	4



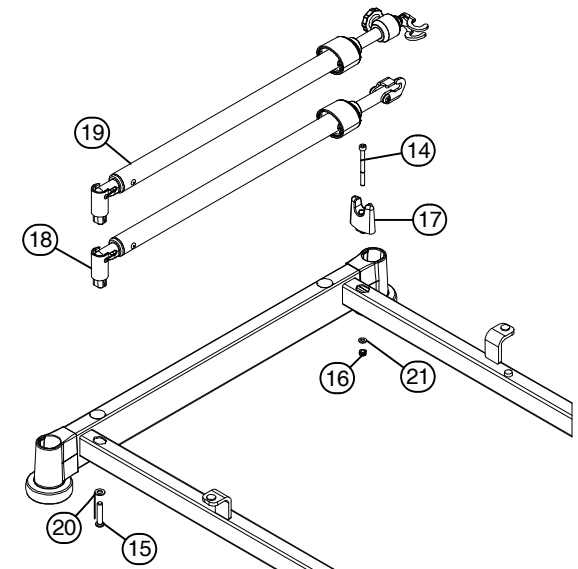
Option : Lockable panel  
instead of handles at head  
and/or foot side


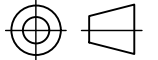
	ID	Description	Q
9	AD010725	cap inbus 17/5.2	1
10	P-016267	lock	1
11	P-016534	brace Vela stretcher	1
12	P-016535	panel Vela strecher	1
13	R-000459	rivet Alu/St 3.9x10	1



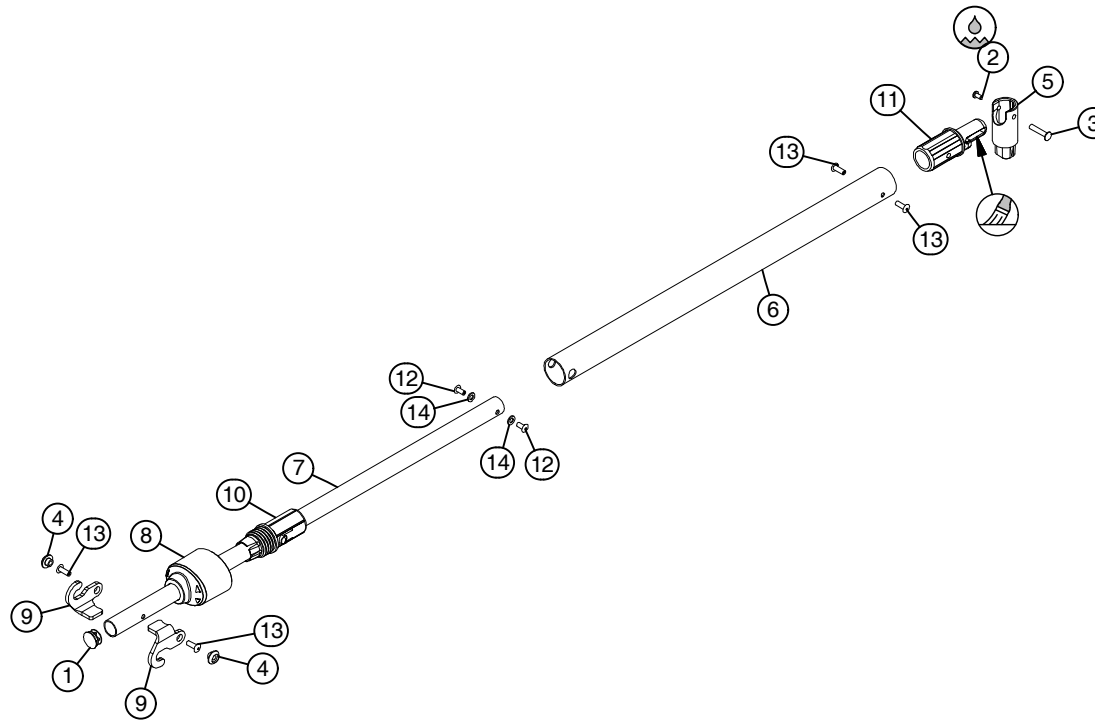
Option: swing down IV rod  
instead of handles at head  
and/or foot side

	ID	Description	Q
14	B-000662	bolt Din912-M6x70-8.8 GV white	1
15	B-013424	bolt Iso7380-M8x40x40-10.9 GV wit	1
16	M-000137	check nut Din985-M6	1
17	P-015130	tube support dia. 19 mm	1
18	T-013975	collapsible IV rod holder	1
19	T-022873	3-section IV rod holder Vico stretcher	1
20	VL000337	washer Din125A-M8-GV	1
21	VL000421	washer Din125A-M6-GV	1


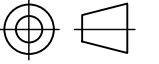


	Scale: 1 : 12	
	Designer: Wouter A.	
	Date: 13/08/2010	
Description: options mattress platform frame Vico stretcher		L. Bekaertstraat 8 - 8770 Ingelmunster, Belgium Tel.: +32(0)51 48 66 95 Fax.:+32(0)51 48 73 19
All rights reserved. Reproduction in whole or in part is prohibited without the written consent of Haelvoet NV		

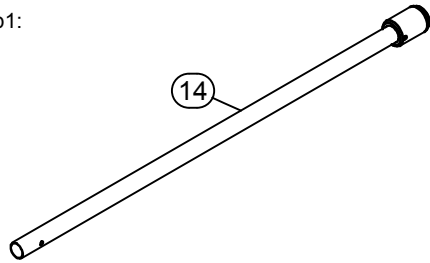
Drawing nr.: T-014567 Revision nr.: e



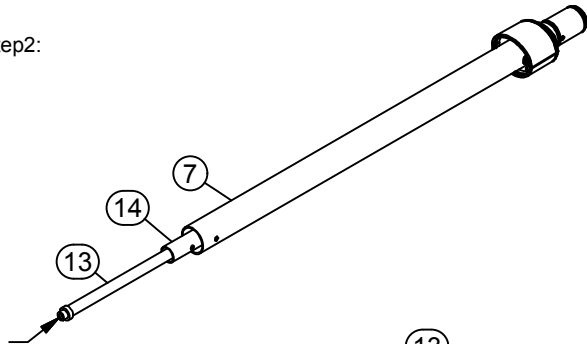
ID	Description	Q
1	AD016592 cap PR 19mm + chrome cap	1
2	B-017743 bolt Iso7380-M4x8x8-10.9 GV white	1
3	DB014239 threaded bush-M4x25-GV	1
4	DC005468 fixation bush	2
5	P-015131 coupling - case	1
6	P-015132 outer tube IV rod stretcher	1
7	P-015133 inner tube IV rod stretcher	1
8	P-015172 knob sleeve coupling 32-19	1
9	P-015174 hook IV rod	2
10	P-015732 sleeve coupling 32-19	1
11	P-015799 coupling - pin	1
12	R-000461 rivet Alu/St 4.8x10	2
13	R-001694 rivet A2/A2 4.8x14	4
14	VL001148 washer Din125A-M5-GV	2

	Scale: 1 : 8	
	Designer: Wouter A.	
	Date: 16/04/2010	
Description: swing down IV-rod stretcher Vico 2-sections		
All rights reserved. Reproduction in whole or in part is prohibited without the written consent of Haelvoet NV Drawing nr.: T-013975 Revision nr.: d		
		L. Bekaertstraat 8 - 8770 Ingelmunster, Belgium Tel.: +32(0)51 48 66 95 Fax.:+32(0)51 48 73 19

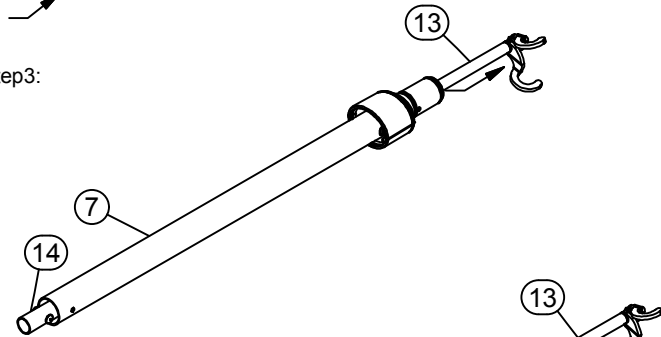
Step1:



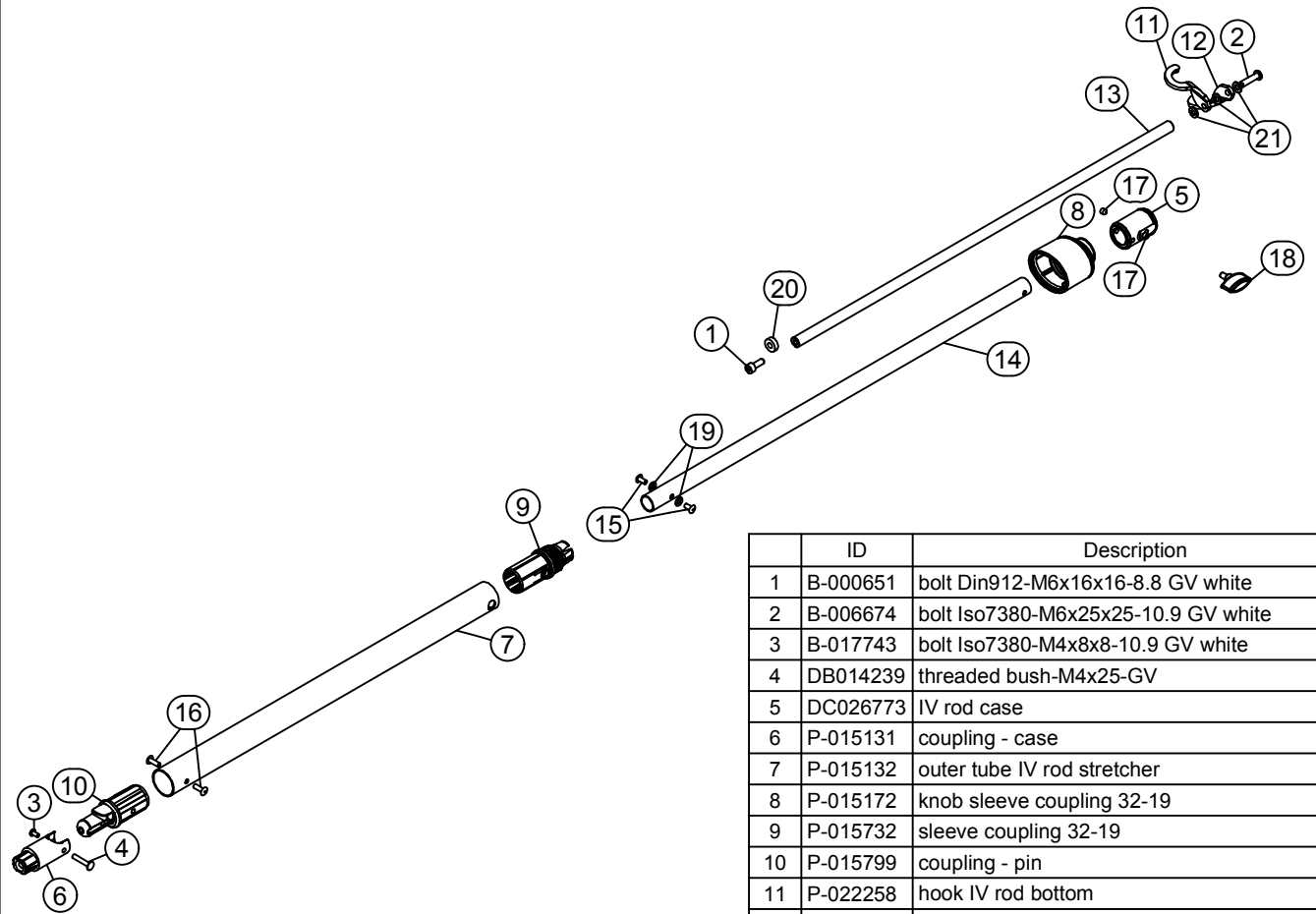
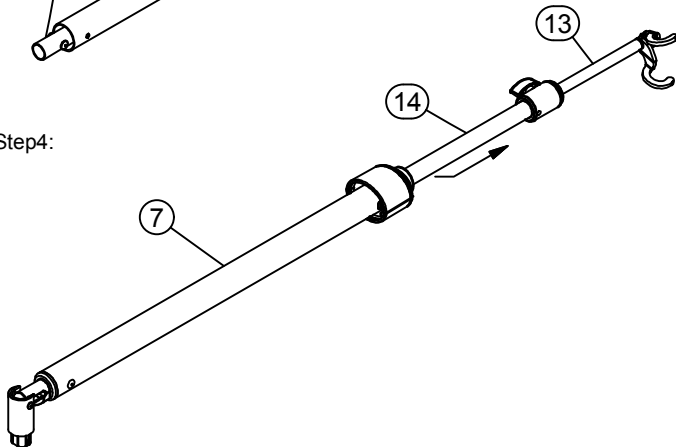
Step2:




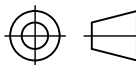
Step3:

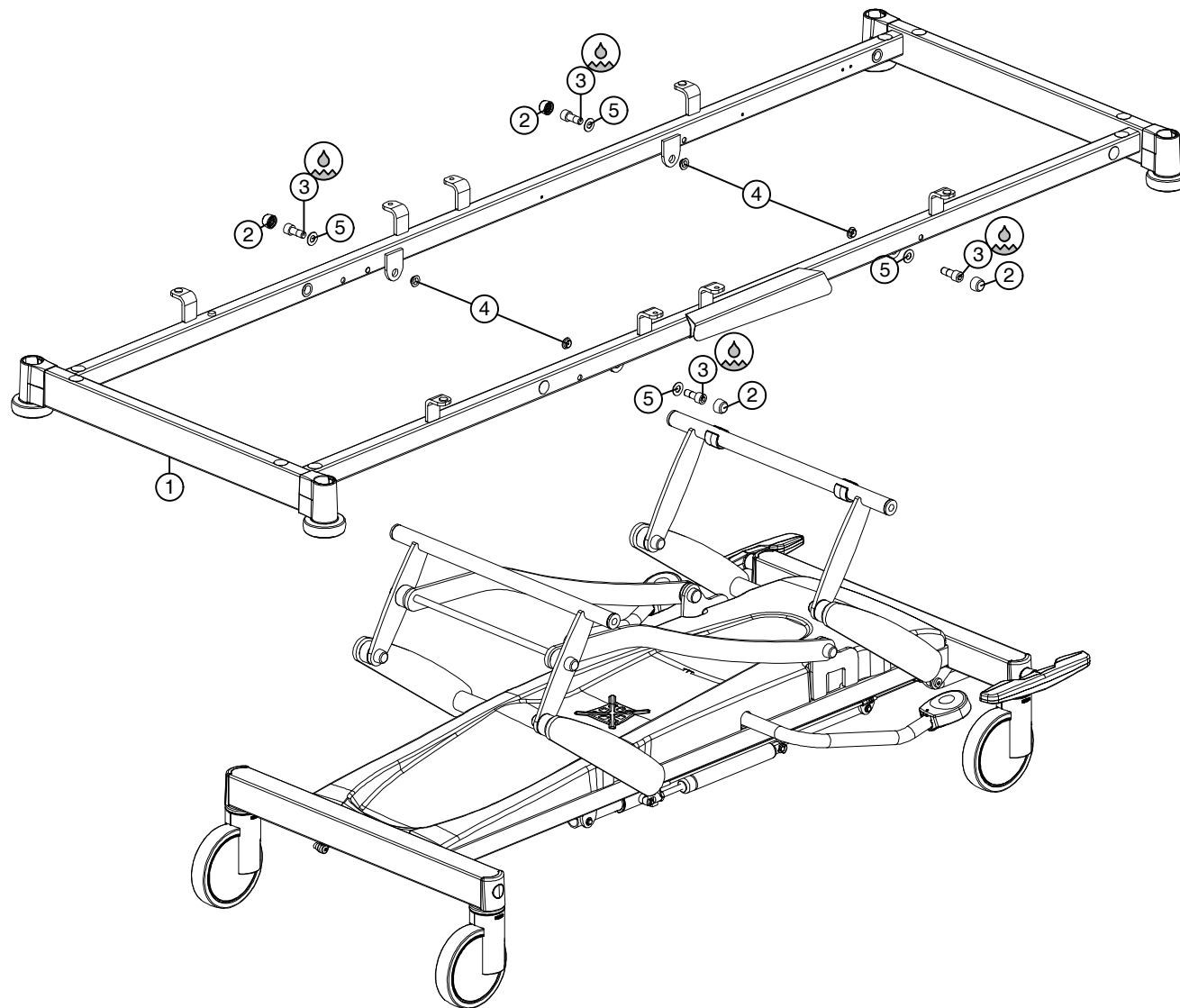


Step4:



ID	Description	Q
1	B-000651 bolt Din912-M6x16x16-8.8 GV white	1
2	B-006674 bolt Iso7380-M6x25x25-10.9 GV white	1
3	B-017743 bolt Iso7380-M4x8x8-10.9 GV white	1
4	DB014239 threaded bush-M4x25-GV	1
5	DC026773 IV rod case	1
6	P-015131 coupling - case	1
7	P-015132 outer tube IV rod stretcher	1
8	P-015172 knob sleeve coupling 32-19	1
9	P-015732 sleeve coupling 32-19	1
10	P-015799 coupling - pin	1
11	P-022258 hook IV rod bottom	1
12	P-022259 hook IV rod top	1
13	P-027694 solid tube IV rod Vico stretcher	1
14	P-027695 inner tube IV rod Vico stretcher	1
15	R-000461 rivet Alu/St 4.8x10	2
16	R-001694 rivet A2/A2 4.8x14	2
17	S-001276 set screw Din914-M6x6	2
18	ST030791 wingnut M6x10	1
19	VL001148 washer Din125A-M5-GV	2
20	VL004575 synthetic washer 15x6.3x5	1
21	VL020302 washer Din125A-M6-PA	3

 <b>Haelvoet</b>			
<b>Description:</b> 3-section IV rod Vico stretcher		Designer: Michael D.	
All rights reserved. Reproduction in whole or in part is prohibited without the written consent of Haelvoet NV - L. Bekaertstraat 8 8870 Ingelmunster - Tel: +32 (0)51 48 66 95		Date: 17/10/2013	Scale: 1 : 8
		Drawing nr.: T-022873	Revision nr.: e



	ID	Description	Q
1	A-015015	frame mattress platform brancard Vico	1
2	AD003053	grey cap M12	4
3	B-003235	bolt Din912-M12x30x14-8.8 GV white	4
4	GI000620	bearing 1214-06	4
5	VI000638	bearing flange 1224-015	4

Scale: 1:12

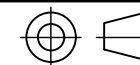
Designer:  
Wouter A.

Date: 16/04/2010

L. Bekaertstraat 8 - 8770 Ingelmunster, Belgium  
Tel.: +32(0)51 48 66 95 Fax.:+32(0)51 48 73 19

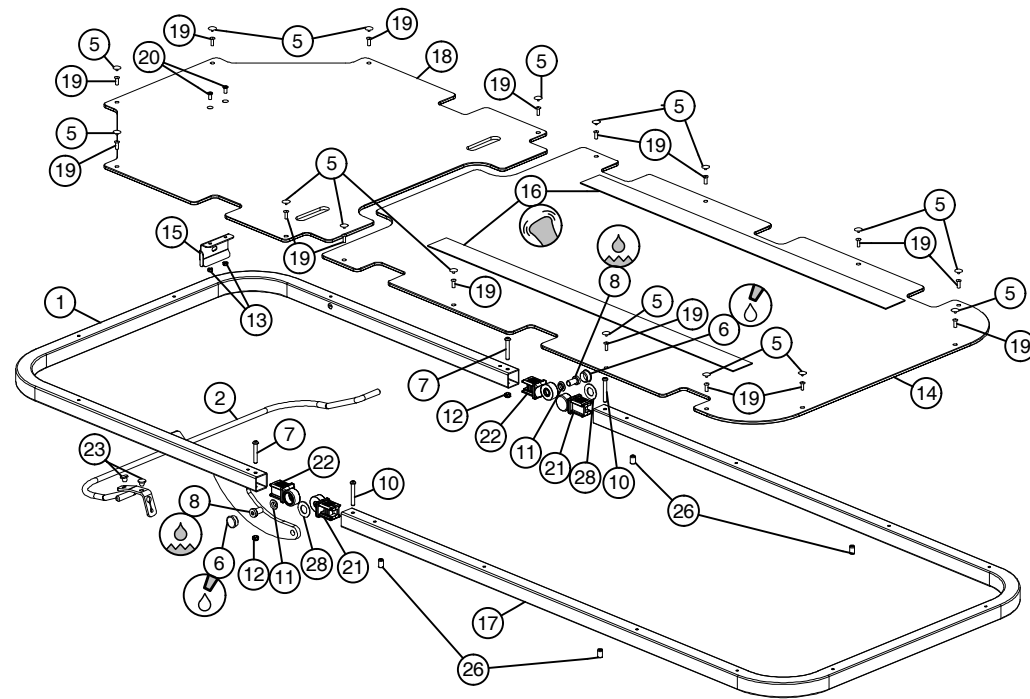
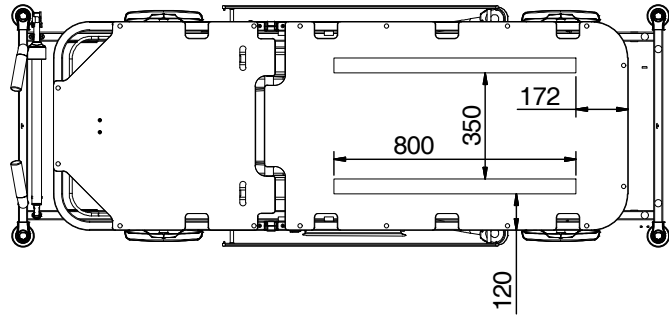
Description:

mounting mattress platform H/L stretcher Vico

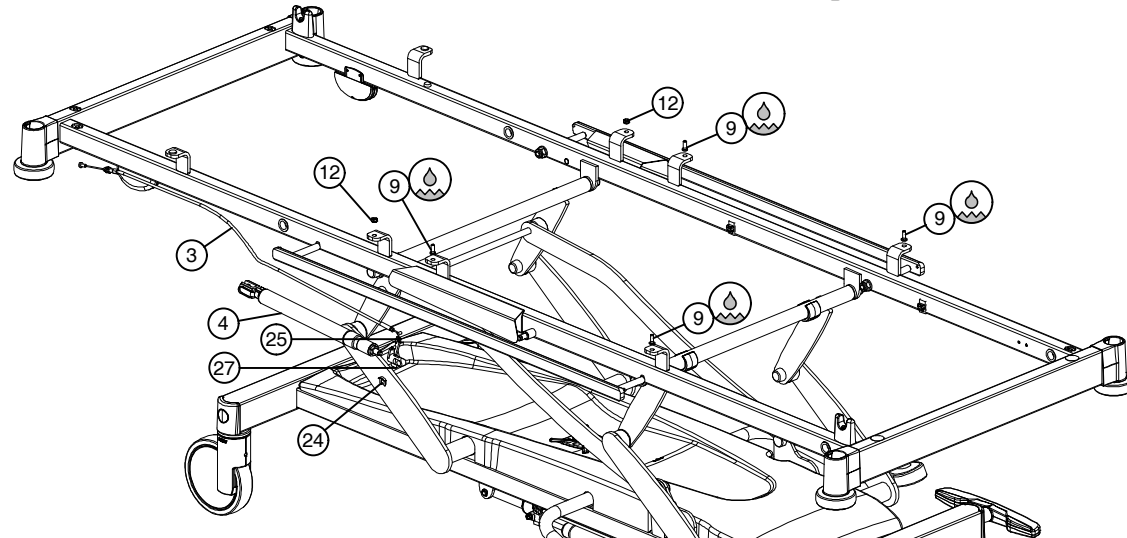



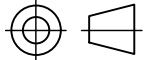
All rights reserved. Reproduction in whole or in part is prohibited without the written consent of Haelvoet NV

Drawing nr.: T-013976 Revision nr.: c



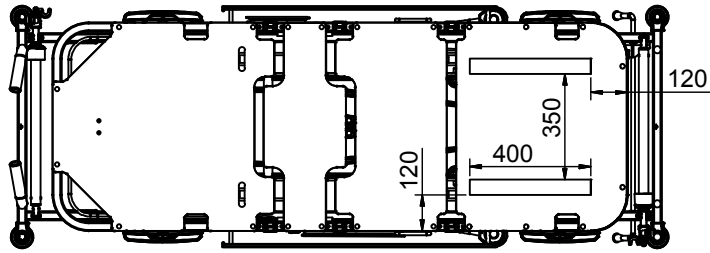
ID	Description	Q
1	A-012868 frame backrest stretcher	1
2	A-012897 adjusting handle backrest	1
3	A-013183 Bowden cable backrest stretcher brancard Vico	1
4	A-013473 gas spring 28B-SL140-IL343-800N	1
5	AD002198 rivet cap (grey)	16
6	AD003016 cap PR 23/20	2
7	B-001653 bolt Iso7380-M6x40x40-10.9 GV white	2
8	B-003317 bolt-M10x18x12-GV white	2
9	B-005873 bolt Iso7380-M6x16x16-10.9 GV white	2
10	B-011434 bolt Iso7380-M6x45x45-10.9 GV white	2
11	GL000618 bearing 1012-04	2
12	M-000137 check nut Din985-M6	4
13	M-000894 check nut Din985-M5	2
14	P-015063 plate fixed part Vico stretcher 2-sections	1
15	P-016459 locking plate	1
16	P-016594 self-adhesive velcro 50mm (hook)	2
17	P-023084 tube fixed part	1
18	P-023468 board backrest Vico stretcher II	1
19	R-002201 rivet Alu/St 4.8x14	16
20	S-016477 screw Din965-M5x12-4.8 GV	2
21	SC002558 mattress platform hinge 1	2
22	SC002560 mattress platform hinge 2	2
23	ST000141 buffer 14x2/8x7	2
24	ST000465 springfix diam.10	1
25	ST005074 release lever	1
26	ST013341 insert small countersunk-M6x14.5-St GV	4
27	ST016171 release head M10 dia10	1
28	VL002705 bearing flange 1630-015	2



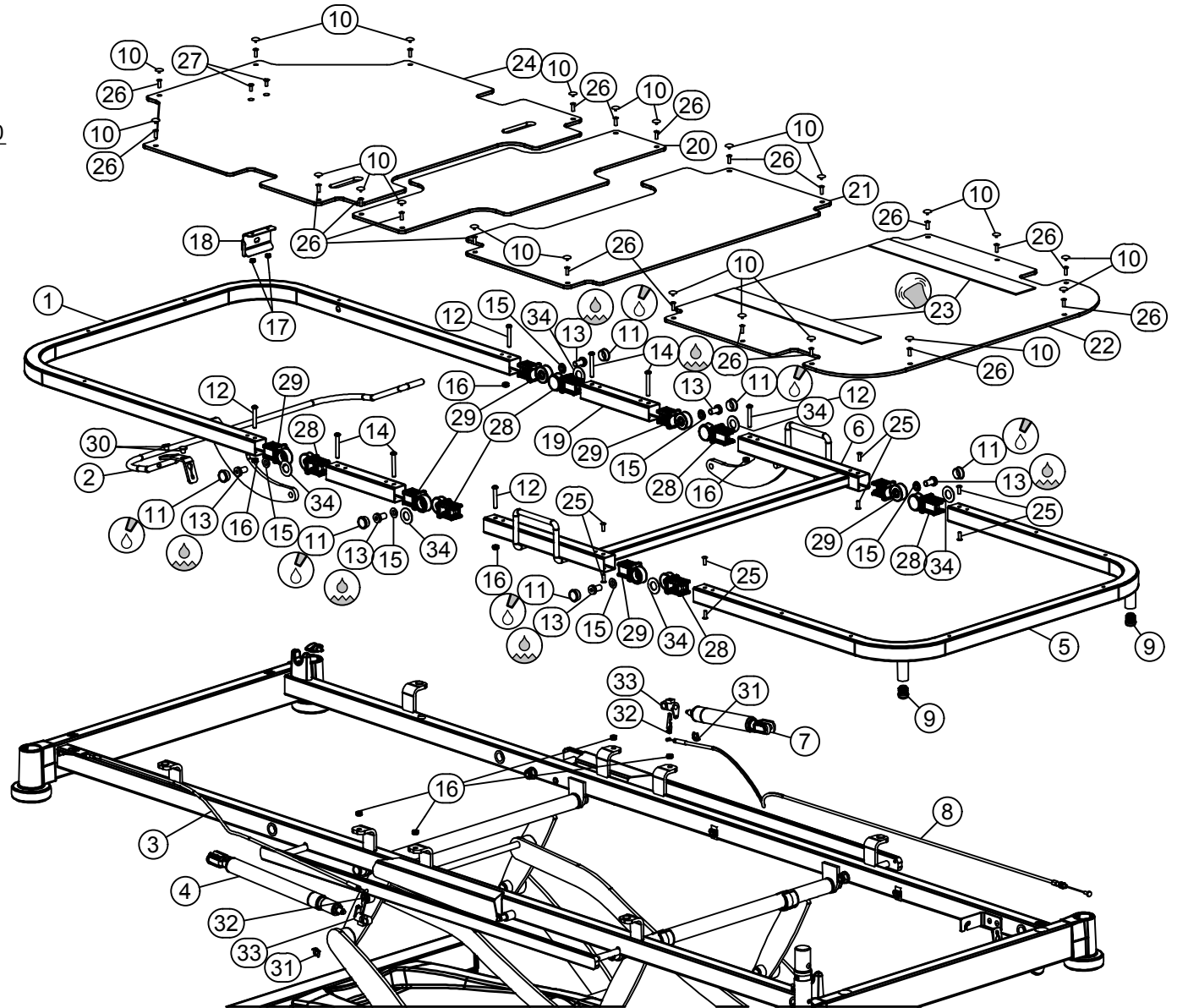
Description: <b>assembly mattress platform Vico stretcher 2-sections</b>	Scale: 1:16	 L. Bekaertstraat 8 - 8770 Ingelmunster, Belgium Tel.: +32(0)51 48 66 95 Fax.:+32(0)51 48 73 19
	Designer: Wouter A.	
	Date: 16/04/2010	
All rights reserved. Reproduction in whole or in part is prohibited without the written consent of Haelvoet NV Drawing nr.: T-013977 Revision nr.: f		

T-024508

c



ID	Description	Q
1	A-012868 frame backrest stretcher	1
2	A-012897 adjusting handle backrest	1
3	A-013183 Bowden cable backrest stretcher brancard Vico	1
4	A-013473 gas spring 28B-SL140-IL343-800N	1
5	A-015022 foot rest Vico stretcher	1
6	A-015023 knee rest Vico stretcher	1
7	A-020337 gas spring 28B-SL45 -IL212-750N	1
8	A-020401 Bowden cable knee rest stretcher Vico	1
9	AD000788 cap HR 20mm	2
10	AD002198 rivet cap (grey)	22
11	AD003016 cap PR 23/20	6
12	B-001653 bolt Iso7380-M6x40x40-10.9 GV white	4
13	B-003317 bolt-M10x18x12-GV white	6
14	B-011434 bolt Iso7380-M6x45x45-10.9 GV white	4
15	GL000618 bearing 1012-04	6
16	M-000137 check nut Din985-M6	6
17	M-000894 check nut Din985-M5	2
18	P-016459 locking plate	1
19	P-019328 side tube fixed part Vico stretcher 4-sections	2
20	P-019331 board fixed part Vico stretcher	1
21	P-019332 board knee rest Vico stretcher	1
22	P-019333 board foot rest Vico stretcher	1
23	P-023087 self-adhesive velcro 50mm (hook)	2
24	P-023468 board backrest Vico stretcher II	1
25	R-001694 rivet A2/A2 4.8x14	8
26	R-002201 rivet Alu/St 4.8x14	22
27	S-016477 screw Din965-M5x12-4.8 GV	2
28	SC002558 mattress platform hinge 1	6
29	SC002560 mattress platform hinge 2	6
30	ST000141 buffer 14x2/8x7	2
31	ST000465 springfix diam.10	2
32	ST005074 release lever	2
33	ST016171 release head M10 dia10	2
34	VL002705 bearing flange 1630-015	6



Description:

assembly mattress platform Vico stretcher 4-sections

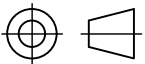
All rights reserved. Reproduction in whole or in part is prohibited without the written consent of Haelvoet NV - L. Bekaertstraat 8 8870 Ingelmunster - Tel: +32 (0)51 48 66 95

Designer:

Ionut I.

Date: 17/04/2014

Drawing nr.: T-024508



Scale: 1 : 12

Revision nr.: c

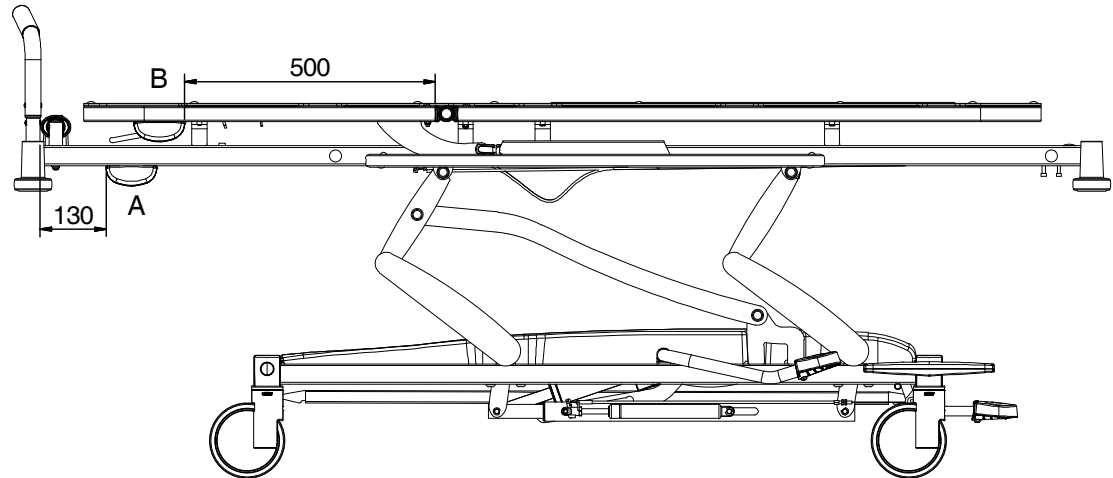
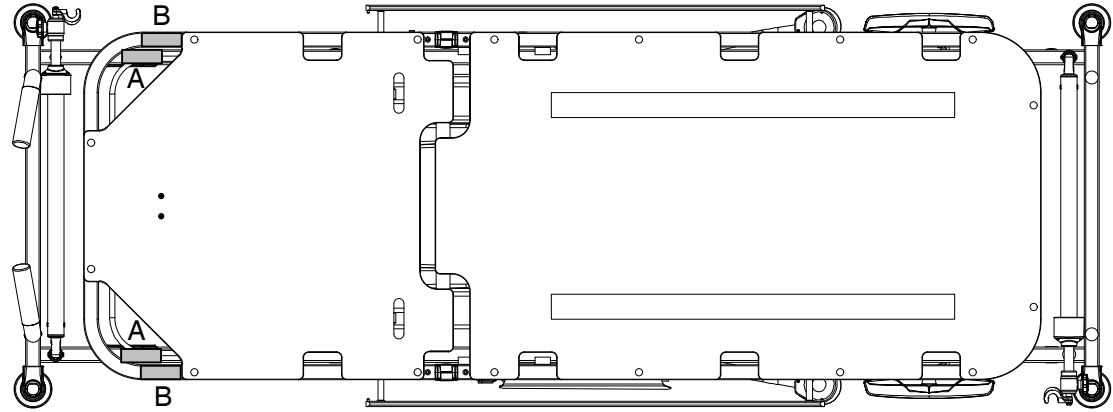
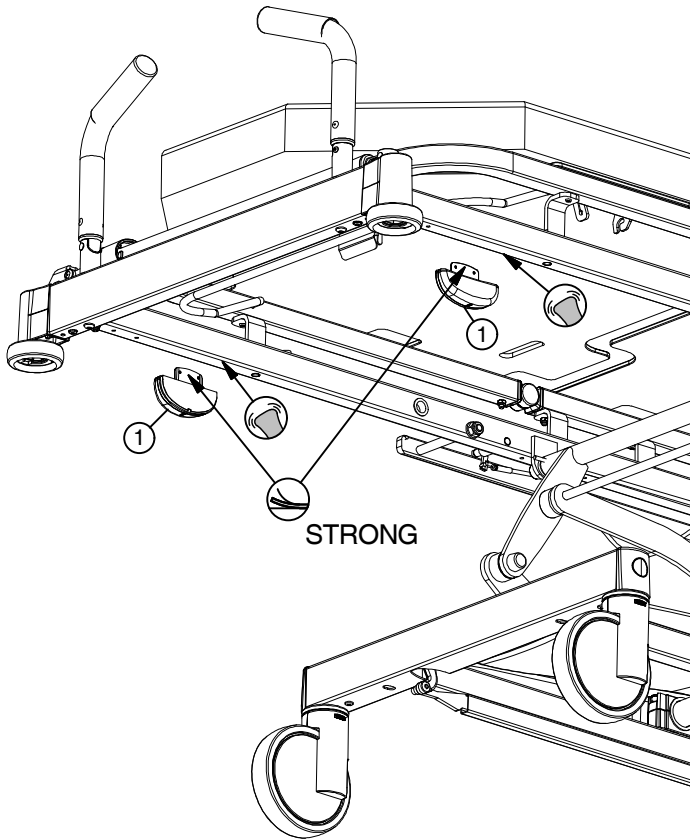
T-016817

a

A = Set of clinometers on mattress platform

B = Set of clinometers on backrest

Fixing clinometer



Quantity per set

ID	Description	Q
1 A-012608	clinometer	2

Description:  
assembly clinometer Vico stretcher

All rights reserved. Reproduction in whole or in part is prohibited without the written consent of Haelvoet NV

Drawing nr.: T-016817 Revision nr.: a

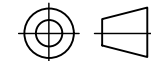
Scale: 2 : 5

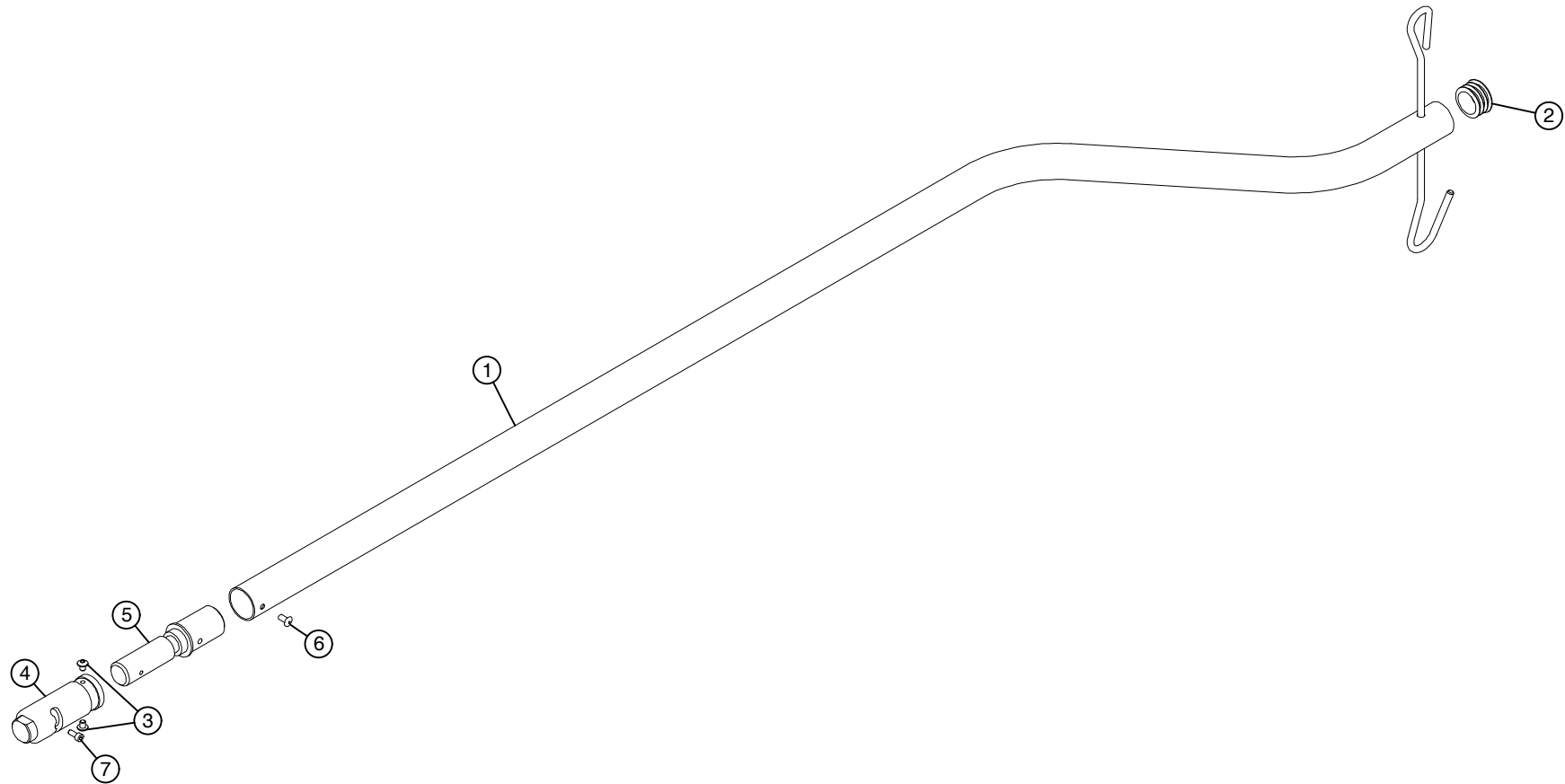
Designer:  
Wouter A.

Date: 28/03/2012


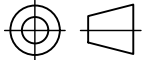


L. Bekaertstraat 8 - 8770 Ingelmunster, Belgium  
Tel.: +32(0)51 48 66 95 Fax.:+32(0)51 48 73 19



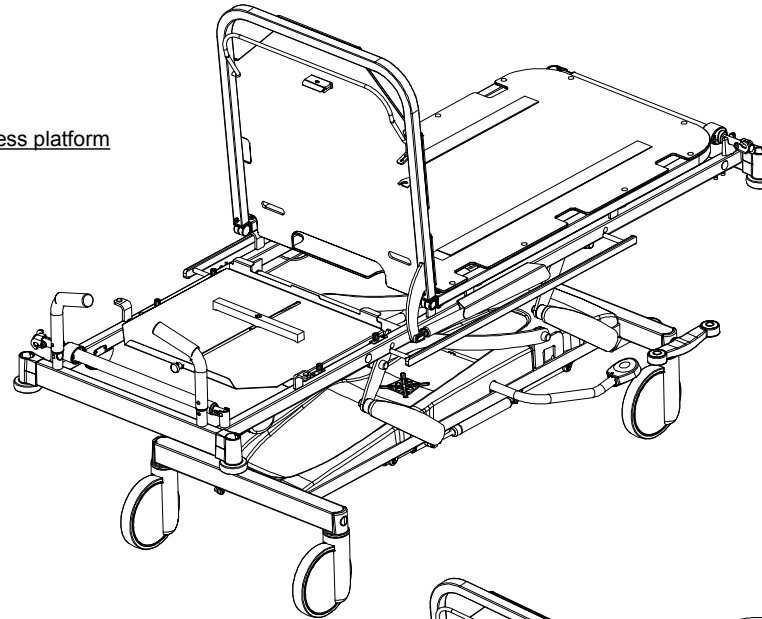
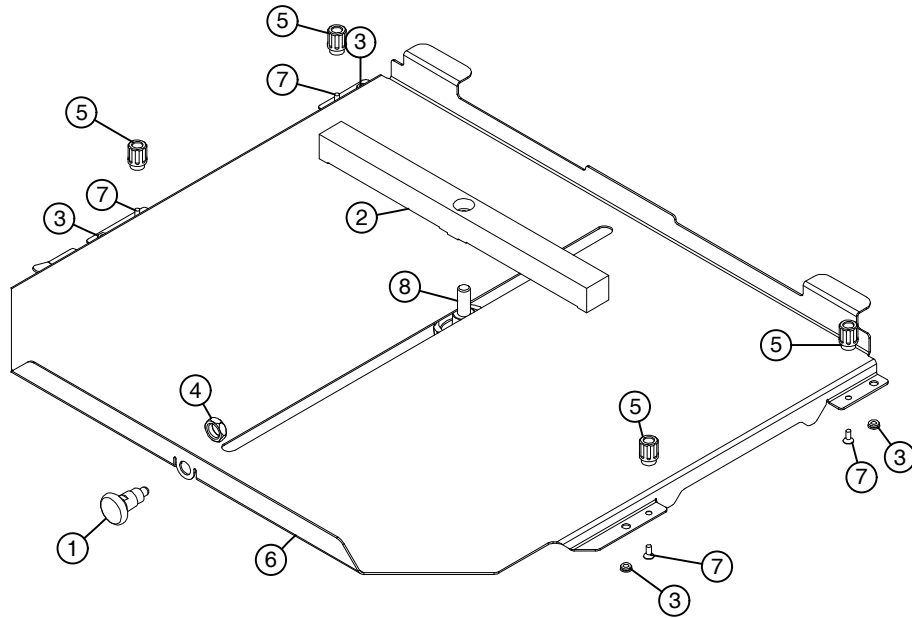


	ID	Description	Q
1	A-013954	IV-rod/diam.32/bent - stretcher	1
2	AD005995	cap PR 32 mm + chrome cap	1
3	B-022164	bolt Iso7380-M5x6-10,9 GV white	2
4	DC031479	IV rod sleeve	1
5	DC031481	IV rod axle	1
6	R-000461	rivet Alu/St 4.8x10	1
7	S-025842	screw Din7500(TT12)-M4x10-GV	1

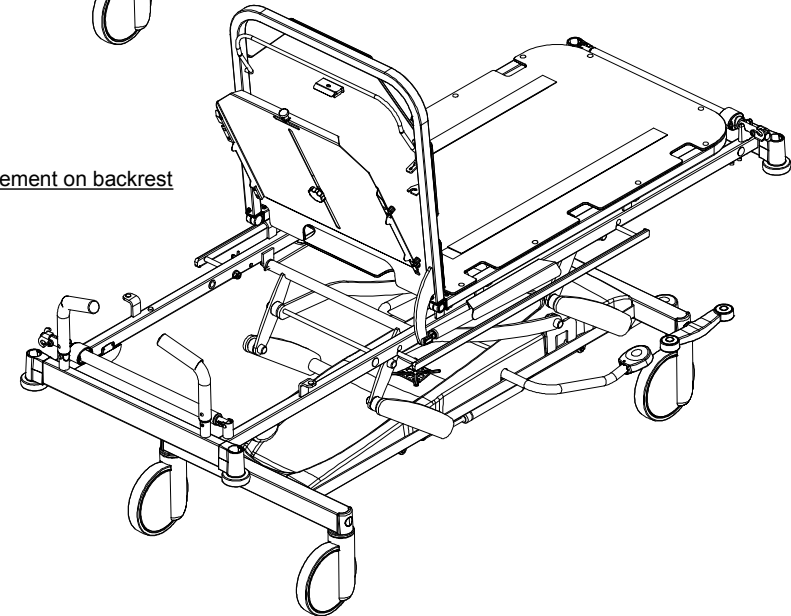
	Scale: 1 : 8	
	Designer: Wouter A.	
	Date: 13/09/2010	
Description: movable IV rod for stretcher		
All rights reserved. Reproduction in whole or in part is prohibited without the written consent of Haelvoet NV Drawing nr.: T-014708 Revision nr.: c		
L. Bekaertstraat 8 - 8770 Ingelmunster, Belgium Tel.: +32(0)51 48 66 95 Fax.:+32(0)51 48 73 19		



placement on mattress platform



placement on backrest



ID	Description	Q
1	A-004014 spring button pin38	1
2	A-014267 position strip	1
3	AD016638 blanking plug dia 9.5mm	4
4	M-011064 nut Din439-M12-04 GV white	1
5	P-018723 knob dia15-H21-M4 chamfered	4
6	P-021328 X-ray cassette holder Vico stretcher	1
7	S-010982 screw Din965Z-M4x10-4.8 GV white	4
8	ST017057 clamp handle dia50-M10x25	1

Description:

**X-ray cassette holder Vico stretcher**

All rights reserved. Reproduction in whole or in part is prohibited without the written consent of Haelvoet NV

Drawing nr.: T-015325 Revision nr.: a

Scale: 1 : 20

Designer:  
Wouter A.

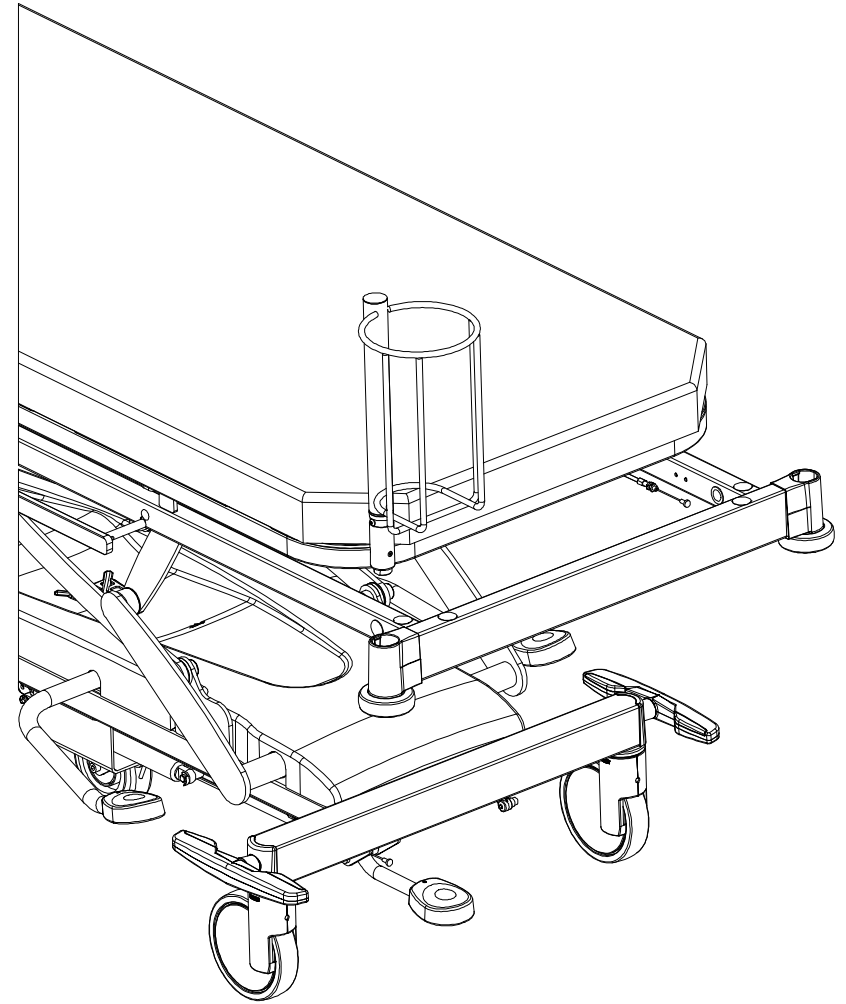
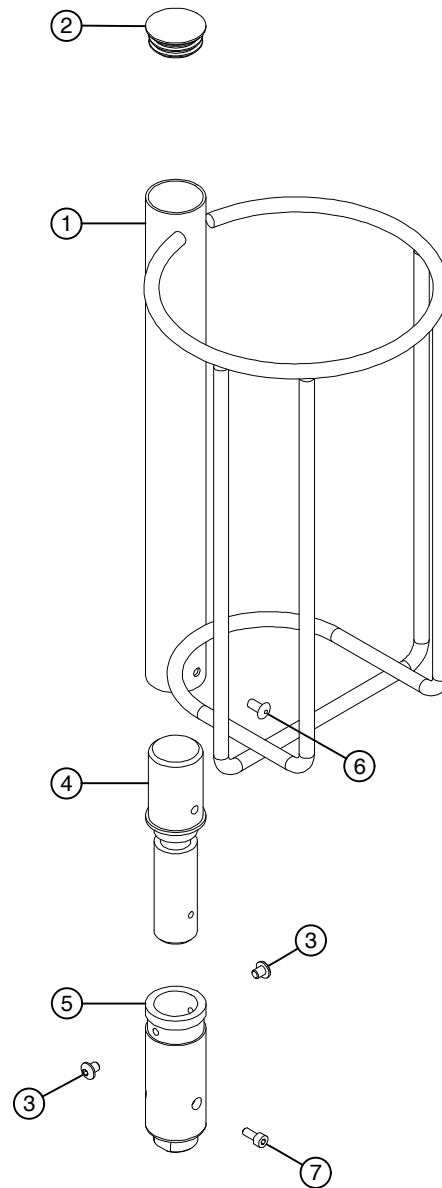
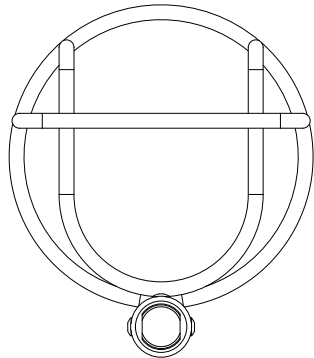
Date: 24/01/2011




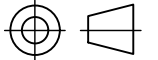
L. Bekaertstraat 8 - 8770 Ingelmunster, Belgium  
Tel.: +32(0)51 48 66 95 Fax.:+32(0)51 48 73 19

T-014589

e



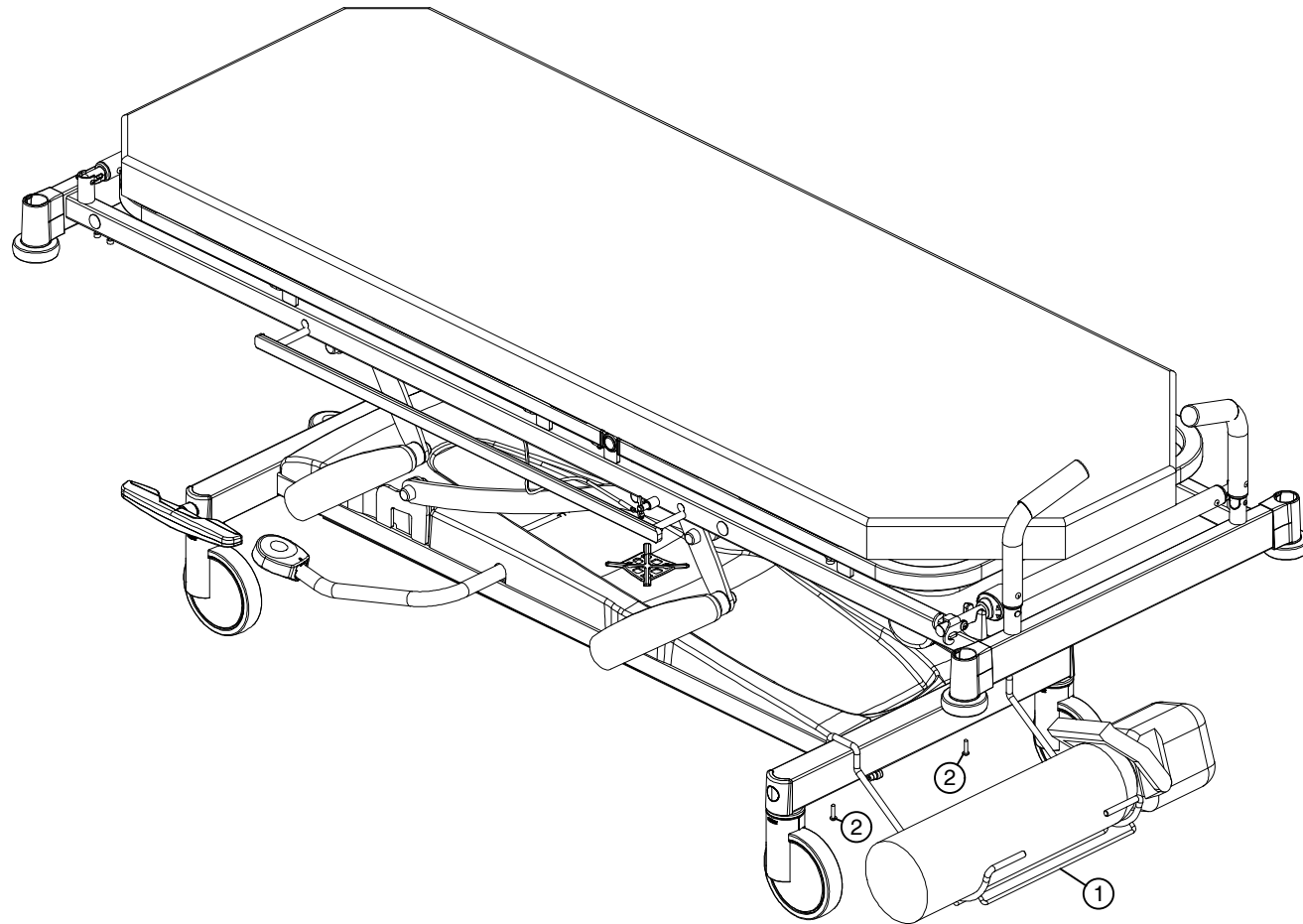
	ID	Description	Q
1	A-013920	oxygen cylinder holder Vico stretcher	1
2	AD000495	cap PR 32mm	1
3	B-022164	bolt Iso7380-M5x6x6-10.9 GV white	2
4	DC031481	IV rod axle	1
5	DC031479	IV rod sleeve	1
6	R-000461	rivet Alu/St 4.8x10	1
7	S-025842	screw Din7500(TT12)-M4x10-GV	1

	Scale: 11::10	 L. Bekaertstraat 8 - 8770 Ingelmunster, Belgium Tel.: +32(0)51 48 66 95 Fax.:+32(0)51 48 73 19
	Designer: Wouter A.	
	Date: 19/08/2010	
Description: oxygen cylinder holder mattress platform Vico stretcher		
All rights reserved. Reproduction in whole or in part is prohibited without the written consent of Haelvoet NV		


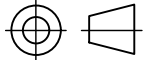
Drawing nr.: T-014589 Revision nr.: e

T-014595

a

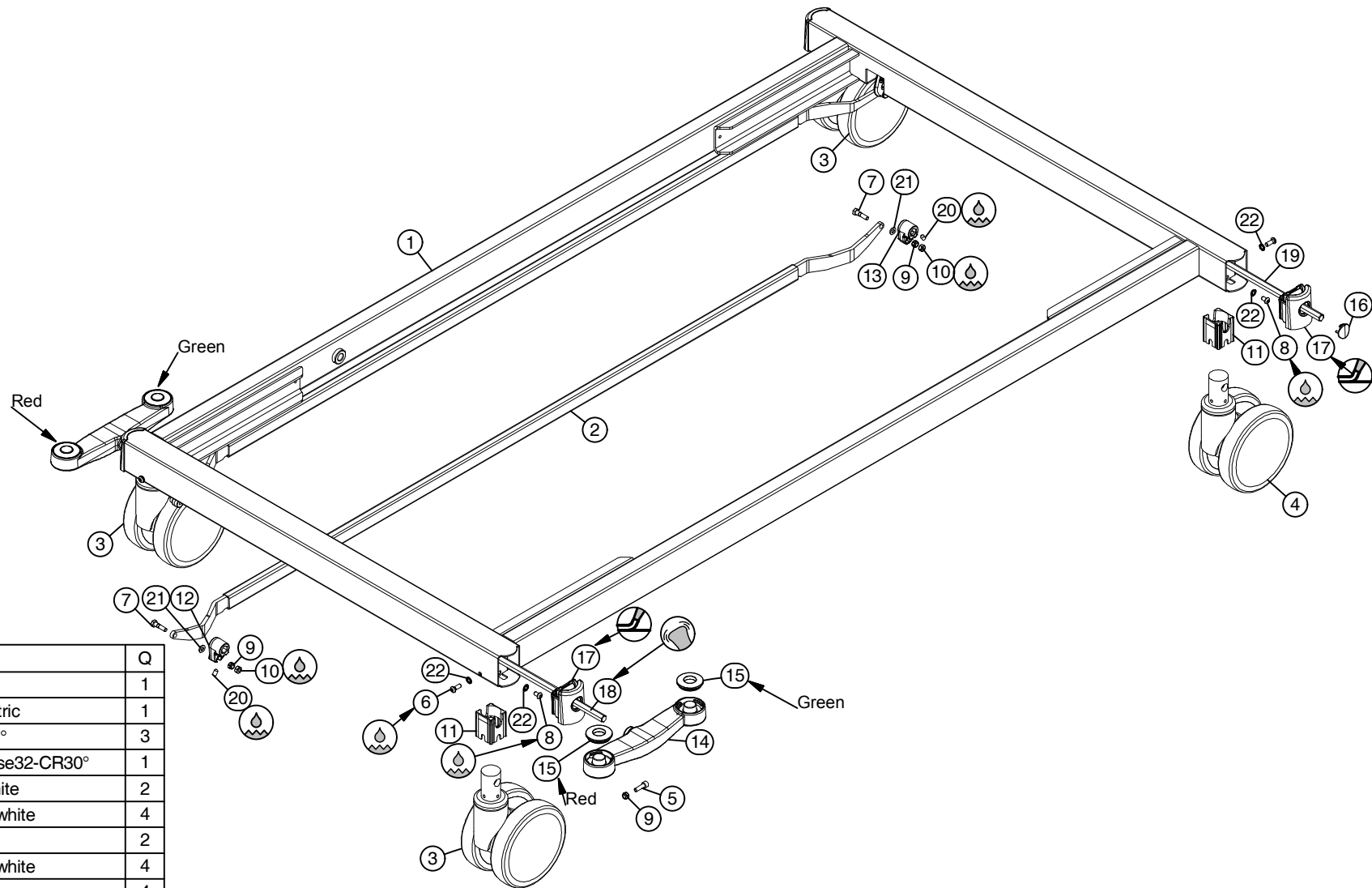


	ID	Description	Q
1	A-013647	oxygen cylinder holder carrier	1
2	S-015945	screw Din7981C-5.5x25	2


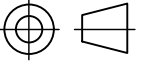
	Scale: 1 : 10	
	Designer: Wouter A.	
	Date: 24/08/2010	
Description: oxygen cylinder holder undercarriage Vico stretcher		
All rights reserved. Reproduction in whole or in part is prohibited without the written consent of Haelvoet NV Drawing nr.: T-014595 Revision nr.: a		
L. Bekaertstraat 8 - 8770 Ingelmunster, Belgium Tel.: +32(0)51 48 66 95 Fax.:+32(0)51 48 73 19		

T-015488

f

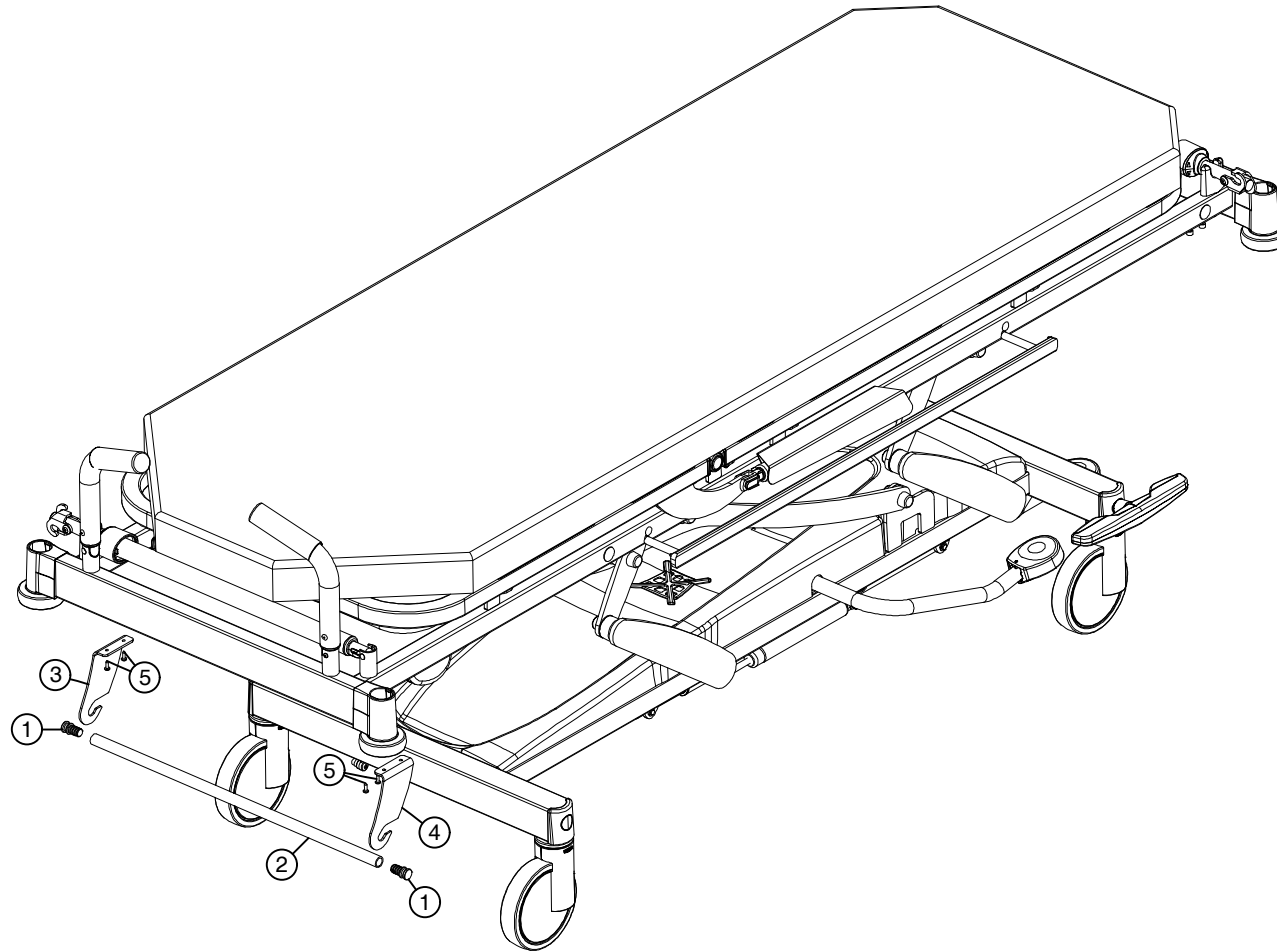


	ID	Description	Q
1	A-014116	frame carrier Olympia Bariatric	1
2	A-014201	drive central brake Olympia Bariatric	1
3	A-014237	castor 55-78 -150K-case32-CR30°	3
4	A-014238	directional castor 55-79 -150K-case32-CR30°	1
5	B-000652	bolt Din912-M6x20x20-8.8 GV white	2
6	B-005873	bolt Iso7380-M6x16x16-10.9 GV white	4
7	B-013711	bolt central brake	2
8	B-018125	bolt Iso7380-M6x10x10-10.9 GV white	4
9	M-000137	check nut Din985-M6	4
10	M-001357	nut Din934-M6-8.8GV	2
11	P-005389	reduction case 32mm	4
12	P-005676	switch cam 24mm	1
13	P-005677	switch cam 21.5mm	1
14	P-015472	double brake pedal	2
15	P-015477	button double brake pedal	4
16	P-015672	cap castor fixation	2
17	P-017706	cap carrier Olympia Bariatric	4
18	P-017768	hexagonal rod Olympia Bariatric foot side	1
19	P-020193	hexagonal rod Olympia Bariatric head side	1
20	S-001939	set screw Din914-M6x10 GV white	2
21	VL000421	washer Din125A-M6-GV	2
22	VL002143	washer Din6798A-M6	8


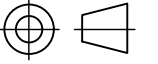
	Scale: 1 : 10	
	Designer: Wouter A.	
	Date: 16/02/2011	
Description: undercarriage Olympia Bariatric		
All rights reserved. Reproduction in whole or in part is prohibited without the written consent of Haelvoet NV Drawing nr.: T-015488 Revision nr.: f		
L. Bekaertstraat 8 - 8770 Ingelmunster, Belgium Tel.: +32(0)51 48 66 95 Fax.:+32(0)51 48 73 19		

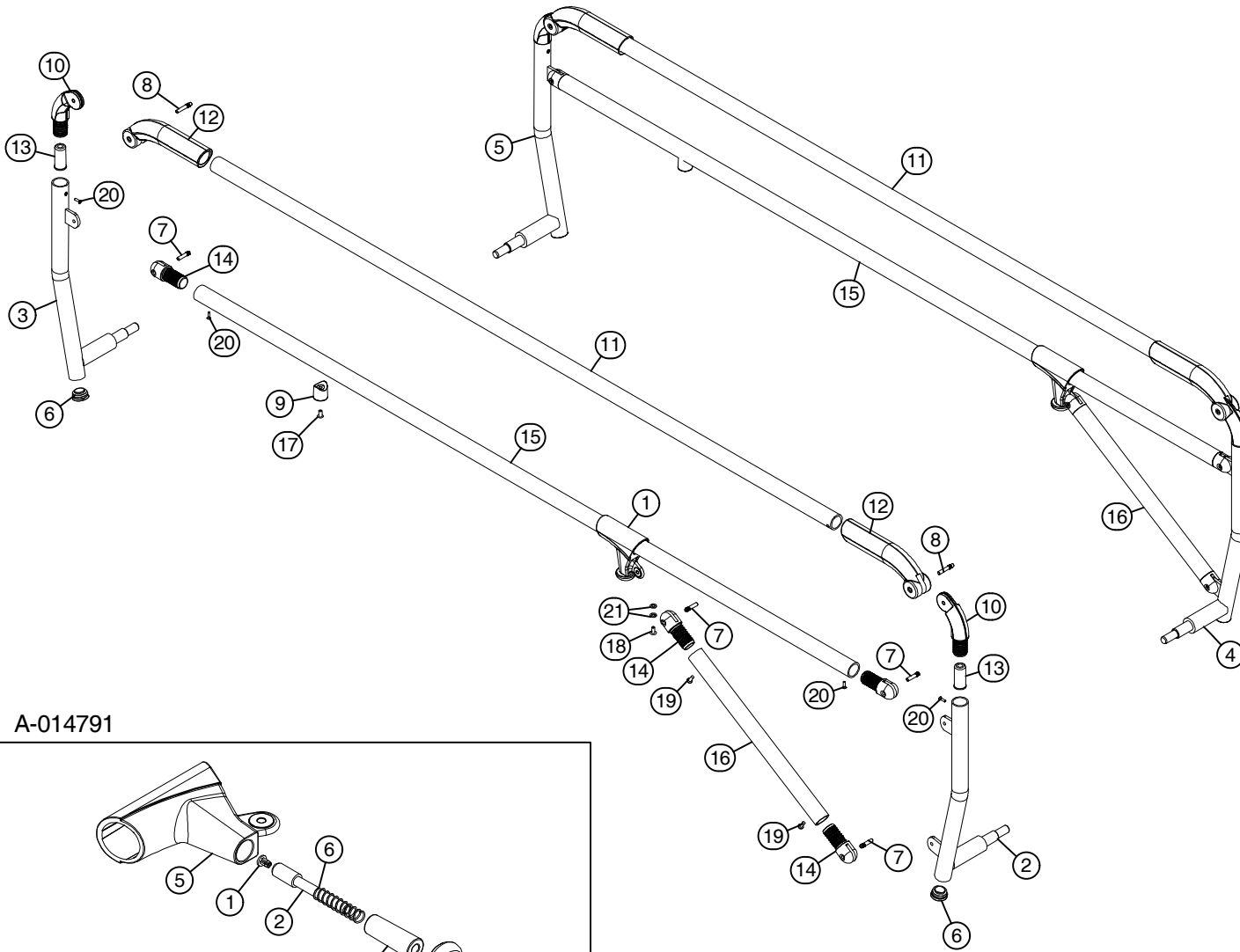
T-016478

a



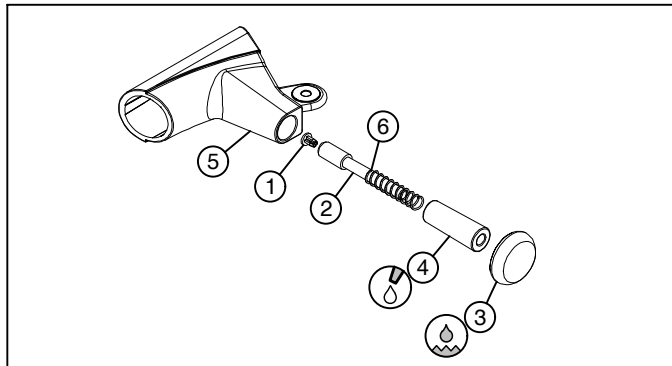
	ID	Description	Q
1	DC017639	cap paper roll holder	2
2	P-017644	tube paper roll holder 60 cm	1
3	P-021818	fork paper roll holder L	1
4	P-021819	fork paper roll holder R	1
5	S-000830	screw Din7981C-4.2x13	4

	Scale: 1 : 10	
	Designer: Wouter A.	
	Date: 12/01/2012	
Description: paper roll holder Vico stretcher		
All rights reserved. Reproduction in whole or in part is prohibited without the written consent of Haelvoet NV Drawing nr.: T-016478 Revision nr.: a		
		L. Bekaertstraat 8 - 8770 Ingelmunster, Belgium Tel.: +32(0)51 48 66 95 Fax.:+32(0)51 48 73 19


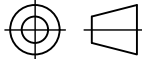


A-014791

ID	Description	Q
1	A-014791 sliding piece atmosphere 25	2
2	A-020123 post Atmosphere III Vico stretcher foot side R	1
3	A-020124 post Atmosphere III Vico stretcher head side R	1
4	A-020125 post Atmosphere III Vico stretcher foot side L	1
5	A-020126 post Atmosphere III Vico stretcher head side L	1
6	AD000890 cap PR 25mm	4
7	DC021546 hinge pin Atmosphere	8
8	DC022187 hinge pin handle Atmosphere	4
9	P-006434 spacer	2
10	P-013703 support cap side rail	4
11	P-013742 top tube Atmosphere	2
12	P-014283 handle side rail Atmosphere	4
13	P-015851 insert support	4
14	P-018905 joint 25x2.5	8
15	P-020356 bottom tube Atmosphere III Vico stretcher	2
16	P-020357 inclined tube Atmosphere III Vico stretcher	2
17	R-000461 rivet Alu/St 4.8x10	2
18	R-004530 rivet A2/A2 4.8x10	2
19	S-000830 screw Din7981C-4.2x13	4
20	S-001139 screw Din7505A-3x12-GV	8
21	VL001148 washer Din125A-M5-GV	4

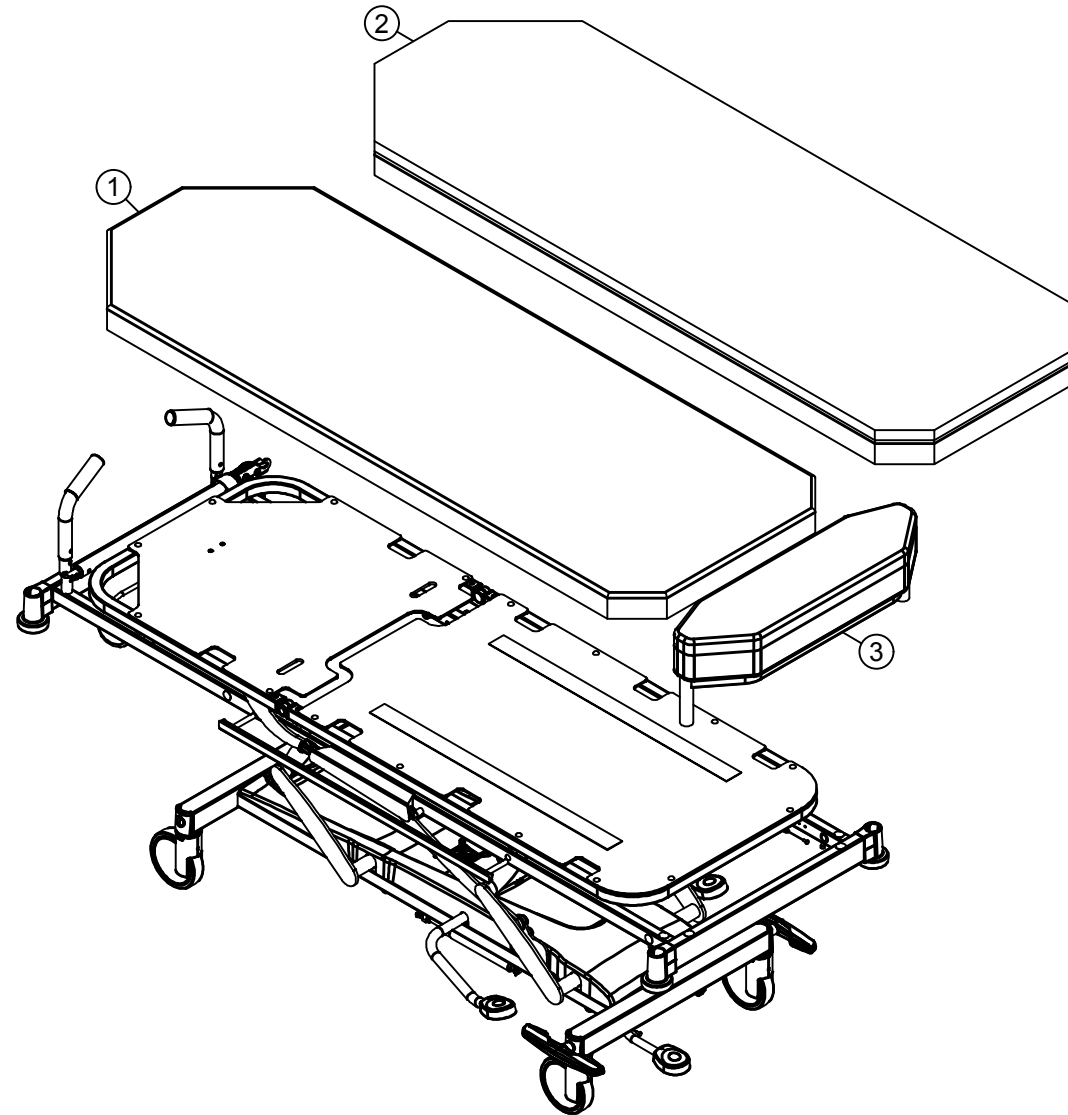


ID	Description	Q
1	AD019228 cap PR 7/4	1
2	DC005179 rod M6x60	1
3	DC005707 side rail button	1
4	P-005177 case sliding piece	1
5	P-018906 sliding piece atmosphere 25	1
6	ST001265 spring 0.8x8x36/4	1


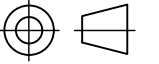
 <b>Haelvoet</b>	
<b>Description:</b> side rails Atmosphere III Vico stretcher	
All rights reserved. Reproduction in whole or in part is prohibited without the written consent of Haelvoet NV - L. Bekaertstraat 8 8870 Ingelmunster - Tel: +32 (0)51 48 66 95	
Designer: Wouter A.	
Date: 18/09/2012 Drawing nr.: T-020478	Scale: 1 : 10 Revision nr.: 9

T-025627

a



	ID	Description	Q
1	A-013944	mattress stretcher Vico 70 mm	1
2	A-021878	mattress stretcher Vico 100mm (option)	1
3	T-024368	brancard extension mattress Vico stretcher (option)	1

Description: mattresses Vico stretcher	Scale: 1 : 18	 L. Bekaertstraat 8 - 8770 Ingelmunster, Belgium Tel.: +32(0)51 48 66 95 Fax.:+32(0)51 48 73 19
	Designer: Michael D.	
	Date: 29/09/2014	
All rights reserved. Reproduction in whole or in part is prohibited without the written consent of Haelvoet NV		
Drawing nr.: T-025627	Revision nr.: a	